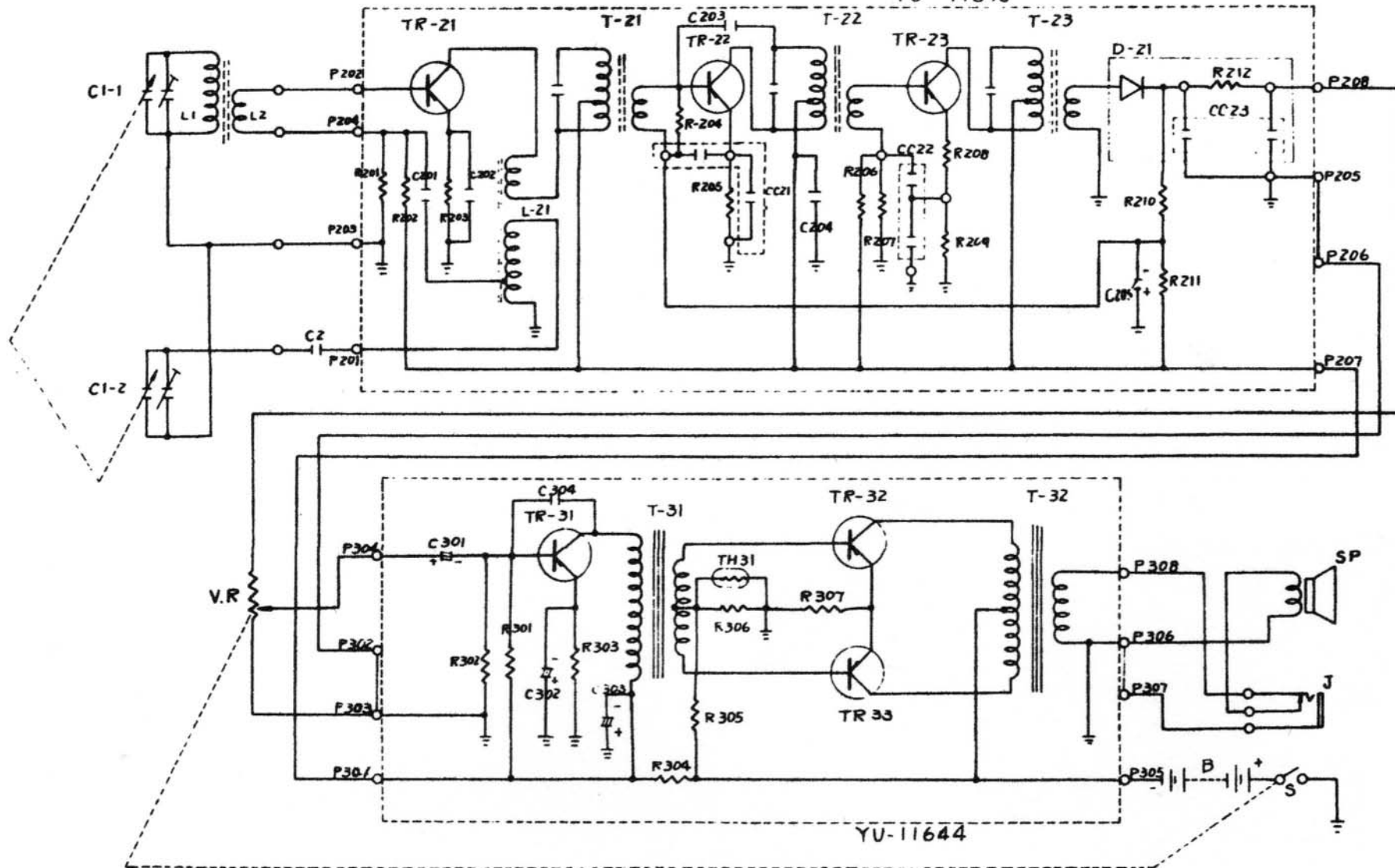


# NEC NT-6M31

YU-11648



# NEC

# NT-6M31

ITEM	NAME	RATING	SPECIFICATION	QTY
TR21	TRANSISTOR	2SA - 285L		1
TR22	"	2SA - 155		1
TR23	"	2SA - 156		1
TR31	"	2SB - 112		1
TR32	"	2SB - 117		1
TR33	"	"		1
D21	DIODE	SD - 46		1
TH31	THERMISTOR	D - 32S		1
L1, L2	ANTENNA COIL	100x4x12 #/m	YSG - 36156	1
L21	OSCILLATOR COIL	"	- 36146	1
T21	IF TRANSFORMER	"	- 35611A	1
T22	"	"	- " B	1
T23	"	"	- " C	1
T31	INPUT TRANSFORMER	5KΩ 3KΩ CT	- T9 - 5	1
T32	OUTPUT TRANSFORMER	750Ω 8Ω CT	- T9 - 6	1
C1-1~2	DOUBLE POLYE. VARIABLE RESISTOR		YSG - C11 - 2 - 1	1
C2	POLYETHYLENE CONDENSER	144.9PF ± 5%	- C5 - 8 - 6J	1
C201	MYLER CONDENSER	0.0047μF	- C5 - 1 - 17M	1
C202	"	"	"	1
C203	CERAMIC	5L - 030D 50V	- C14 - 2	1
C204	MYLER	0.01μF	- C5 - 1 - 14M	1
C205	ELECTROLYTIC	3V 10μF	- C3 - 1 - 5	1
CC21	MYLER DOUBLE	0.01μF + 0.01μF	- C5 - 4 - 3M	1
CC22	"	"	"	1
CC23	"	0.02μF + 0.0047μF	- C5 - 4 - 2M	1
C301	ELECTROLYTIC	12V 2μF	- C3 - 1 - 41	1
C302	"	3V 10μF	- C3 - 1 - 5	1
C303	"	6V 30μF	- C3 - 1 - 20	1
C304	POLYETHYLENE	150PF ± 10%	- C5 - 2 - 8K	1
P201~8	TERMINAL BOARD		01 - 39794	2
P301~8	"		"	2

ITEM	NAME	RATING	SPECIFICATION	QTY
R201	CARBON RESISTOR	1/16W 33KΩ ± 5%	YSG - 35376B	1
R202	"	30KΩ	"	1
R203	"	15KΩ	"	1
R204	"	560Ω	"	1
R205	"	1.5KΩ	"	1
R206	"	30KΩ	"	1
R207	"	10KΩ	"	1
R208	"	62Ω	"	1
R209	"	1.5KΩ	"	1
R210	"	15KΩ	"	1
R211	"	120KΩ	"	1
R212	"	22KΩ	"	1
R301	"	68KΩ	"	1
R302	"	22KΩ	"	1
R303	"	1.5KΩ	"	1
R304	"	15KΩ	"	1
R305	"	10KΩ	"	1
R306	"	260Ω	"	1
R307	"	22Ω	"	1
VR	VARIABLE RESISTOR WITH SWITCH	12 <sup>+</sup> 5KΩ	YSG - 35379	1
SP	SPEAKER	6cm VC 8Ω	YSG - 25051	1
J	EARPHON JACK		YSG - 50087C	1
B	BATTERY	006P (9V)		1