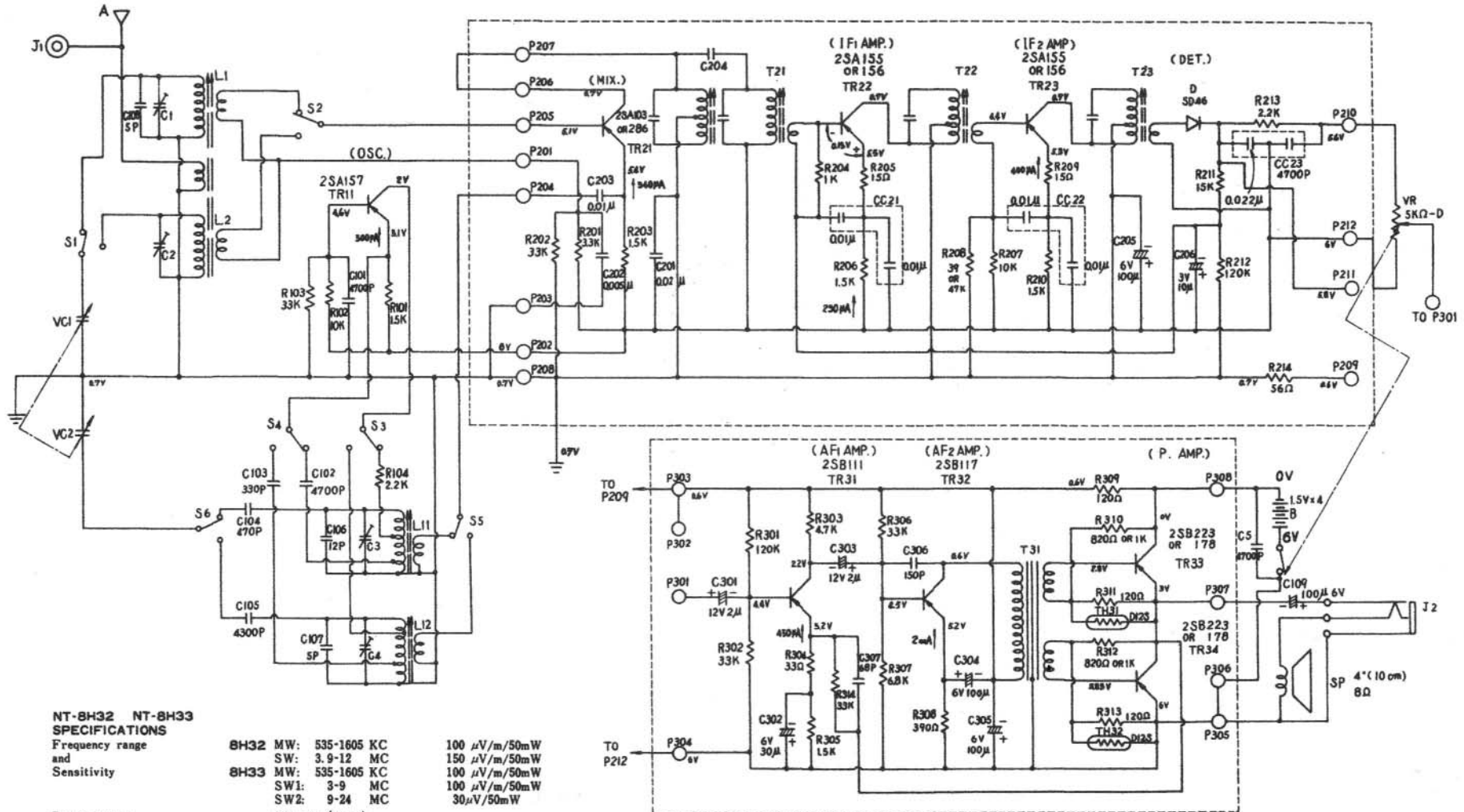


# NEC NT-8H32 or NT-8H33

8H32 HF circuit diagram

8H33 8H32 IF AF circuit diagram



**NT-8H32 NT-8H33 SPECIFICATIONS**  
 Frequency range and Sensitivity  
 Power output  
 Speaker  
 Power source

<b>8H32</b>	MW: 535-1605 KC	100 $\mu\text{V}/\text{m}/50\text{mW}$
	SW: 3.9-12 MC	150 $\mu\text{V}/\text{m}/50\text{mW}$
<b>8H33</b>	MW: 535-1605 KC	100 $\mu\text{V}/\text{m}/50\text{mW}$
	SW1: 3-9 MC	100 $\mu\text{V}/\text{m}/50\text{mW}$
	SW2: 9-24 MC	30 $\mu\text{V}/50\text{mW}$
	700 mW (Max.)	
	10 cm (4") Dynamic Impedance 8 ohms.	
	6 volts 1.5V x 4 UM-1 or equivalent.	