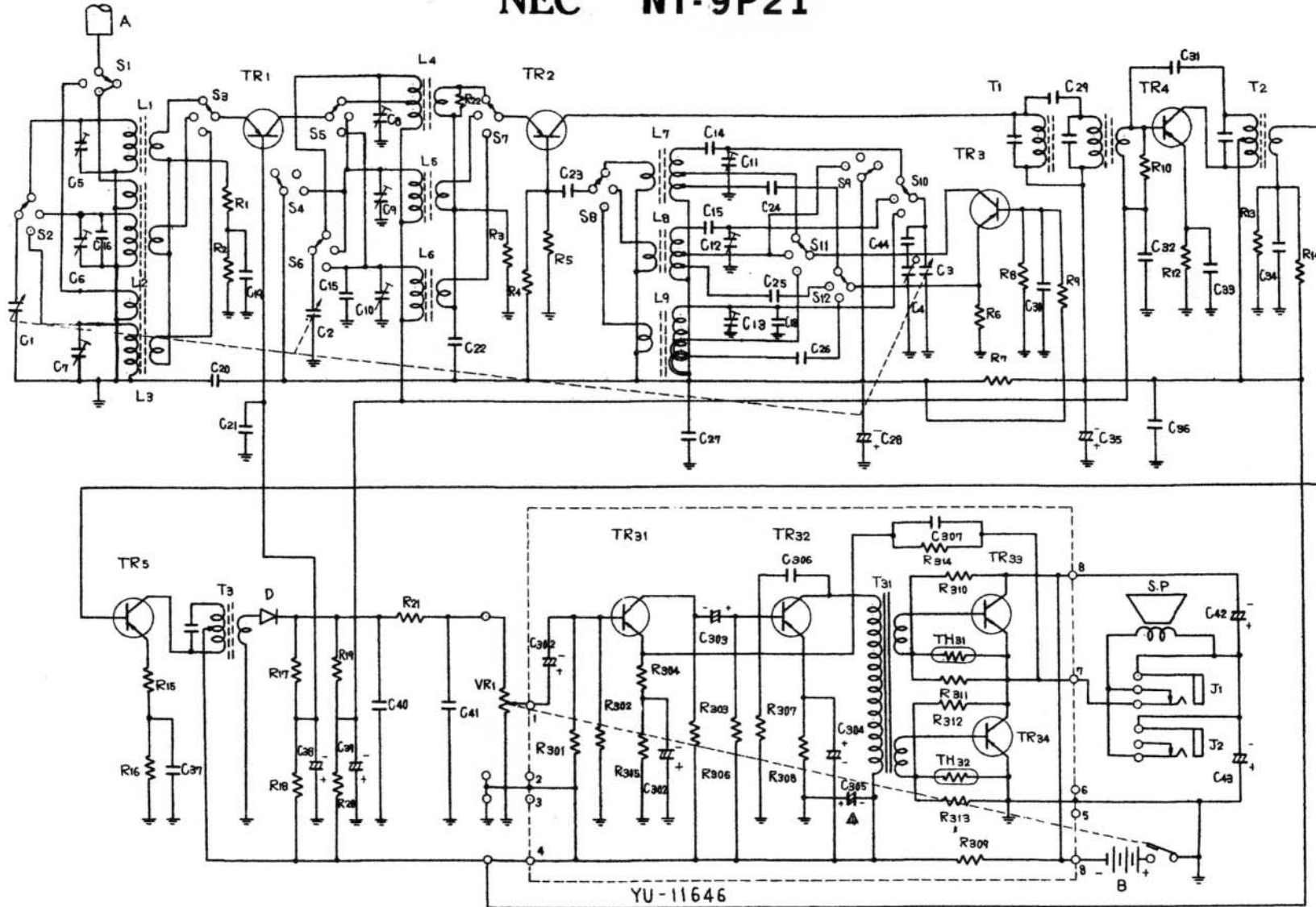


NEC NT-9P21



Band Selecting Switches (S1 thru S12) are positioned in
MW (Broadcast Band)

NEC NT-9P21

PARTNO	NAME OF PART	SPECIFIC NO	RATINGS	QTY EA
TR1	TRANSISTOR		2SA-286	1
TR2	-DITTO-		"	1
TR3	-DO.		2SA-216	1
TR4	DO.		2SA-155	1
TR5	-DO.		"	1
D	DIODE		SD-46	1
L12	ANT COIL	Y54-35919		1
L3	-DITTO-	" - 35963		1
L4	BC RF COIL	" - 35964		1
L5	SW 1. RF COIL	" - 35965		1
L6	SW 2. RF COIL	" - 35966		1
L7	BC OSC COIL	" - 35967		1
L8	SW 1. OSC COIL	" - 35968		1
L9	SW 2. OSC COIL	" - 35969		1
S1-12	BAND SELECT. SWITCH	" 50203		1
T1	IFT	" - 36032		1
T2	-DITTO-	" - 35150-B		1
T3	-DITTO-	" - C		1
C123	VARICAP 3GANGED	" C11-1		1
C4	MINIATURE V.C	" - 35970		1
C567	TRIM CAP 3-SEC	" - 35008-J		1
C8-13	TRIM CAP 6-SEC	" - 35587		1
C14	POLYETHYLEN CAP	" - C5-2-10J	330 PF ± 5%	1
C15	-DITTO-	" - 15J	2200PF ± 5%	1
C17	-DITTO-	"		1
C17	CERAMIC CAP	" - 35139	25PF	1
C18C16	-DITTO-	"	10PF	2
C19 21-23	TITANIUM CAP	" - C2-2	0.01μF	4
C20 27	-DITTO-	"	0.02μF	2
C24	MYLER CAP	" - C5-1-17M	0.0047μF	1
C25	-DITTO-	" - 13M	0.001μF	1
C26	POLYETHYL. CAP	" - C5-3-4	270PF	1
C28 35	ELECTROLYTIC CAP	" C3-1-28	6V 100μF	2
C29 31	CERAMIC CAP	" - 35139	3PF	2
C30	TITANIUM CAP	" C2-2	0.005μF	1
C32-34 36 37 41	MYLER CAP	" C5-1-19M	0.01μF	6
C38 39	ELECTROLYTIC CAP	" C3-1-5	3V 10μF	2
C40	MYLER CAP	" C5-1-21M	0.022μF	1
C42 43	ELECTROLYTIC CAP	" C3-1-22A	6V 100μF	2
C44	CERAMIC CAP	" 35139	5PF	1
VR	VARI RES/W/PWSW	" R6-1	10KΩ	1

PARTNO	NAME OF PART	SPECIFIC NO.	RATINGS	QTY EA
R1	SOLID CARBON RES	Y54 35375-A	1/8W 56Ω ± 5%	1
R2 6 10	-DITTO-	"	15KΩ	4
R3 12	DO.	"	12KΩ	2
R4 19	DO.	"	15KΩ	2
R5	DO.	"	33KΩ	1
R7	DO.	"	33Ω	1
R8	DO.	"	10KΩ	1
R9 14	-DO.	"	30KΩ	2
R13	SOLID CARBON RES	"	10KΩ	1
R15	-DITTO-	"	0-62Ω	1
R17	DO.	"	12KΩ	1
R18 20	DO.	"	120KΩ	2
R21	DO.	"	25KΩ	1
R22	-DO.	"	1KΩ	1
SP	LOUDSPEAKER	Y54-25130	9cm 8Ω	1
A	ROD ANTENNA	Y54-60044		1
SW	PUSH BUTTON SW			1
J12	EARPHONE JACK	Y54-10027-C		2
B	BATTERIES	Y4-20995		3
T	TERMINAL	Y1-39794		1

PARTNO	NAME OF PART	SPECIFIC NO.	RATINGS	QTY EA
	AF UNIT	YU-11646		
TR31	TRANSISTOR		2SB-111	1
TR32	-DITTO-		2SB-112	1
TR33	-DITTO-		2SB-223	1
TR34	-DITTO-		2SB-223	1
TH31 32	THERMISTER		D-32S	2
T31	DRIVER TRANSFORMER	Y54 79-1		1
C301	ELECTROLYTIC CAP	Y54 C3-1 3	3V 10μF	2
C302	-DITTO-	" - 20	6V 30μF	1
C304	-DITTO-	" - 22	6V 100μF	2
C305	-DITTO-	" - 22	6V 100μF	2
C306	POLYETHYL. CAP	" - C5-2-11K	0.00047μF (470PF)	1
C307	MYLER CAP	" - C5-1-15M	0.0022μF	1
R301	SOLID CARBON RES	" 35375-B	1/8W 120KΩ ± 5%	1
R302	-DITTO-	"	50KΩ	1
R303	-DO.	"	47KΩ	1
R304	-DO.	"	15Ω	1
R305	-DO.	"	1KΩ	1
R306	-DO.	"	47KΩ	1
R307	-DO.	"	33KΩ	1
R308	-DO.	"	260Ω	1
R309	-DO.	"	56Ω	1
R310	-DO.	"	1.8KΩ	2
R311	-DO.	"	260Ω	2
R312	-DO.	"	6.8KΩ	1
R313	-DO.	"	260Ω	2
R314	-DO.	"	6.8KΩ	1
T	TERMINAL	Y1-39794	4P	2
PB	PRINTED BOARD	01-34114		1