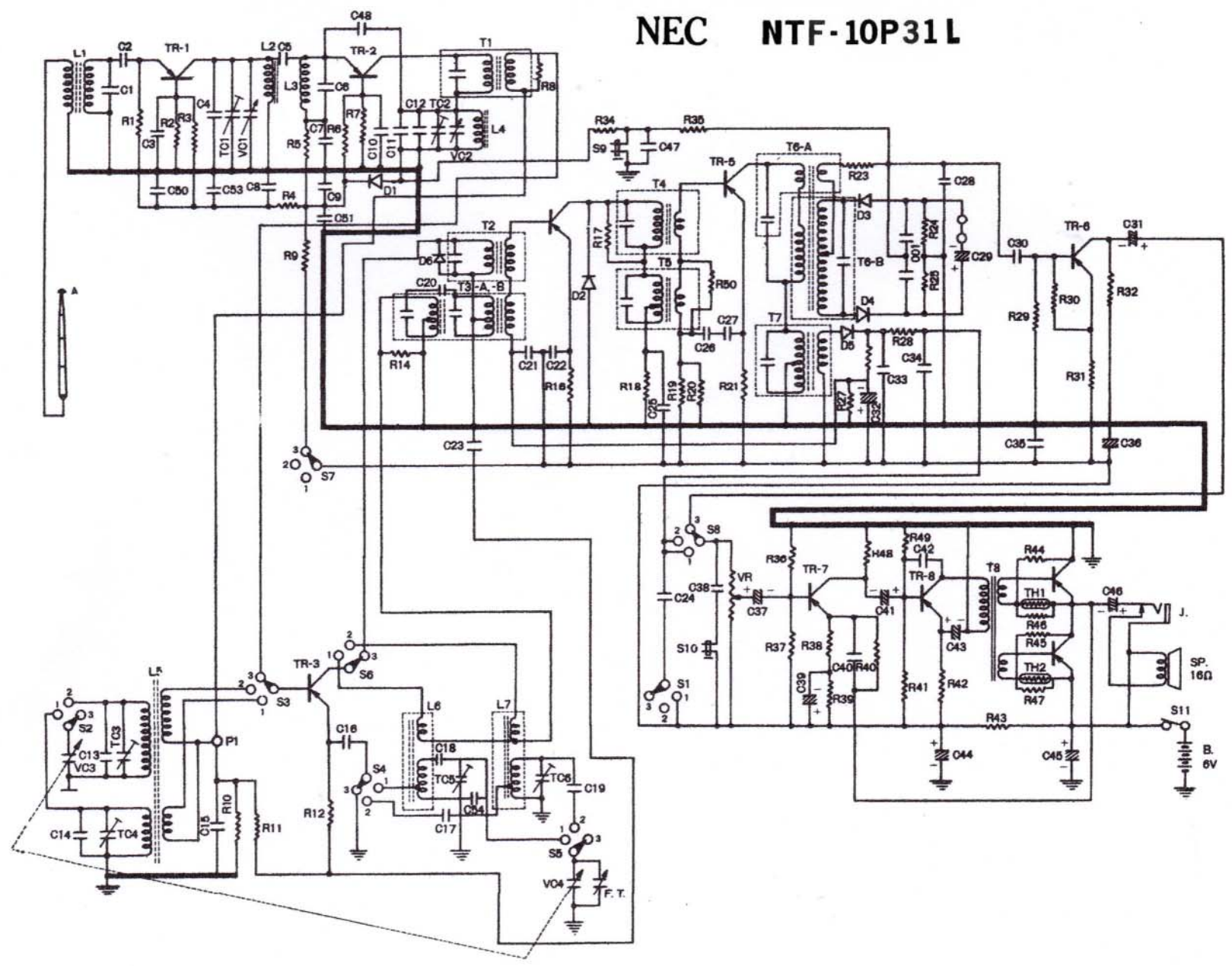


# NEC NTF-10P31L



# NEC NTF-10P31L

DESIG.	N A M E	R A T I N G	S P E C I F I C A T I O N	Q T Y
TR-1	TRANSISTOR		25A-239or403	1
TR-2	"		25A-240or239	1
TR-3	"		25A-104	1
TR-4	"		25A-215K	1
TR-5	"		25A-216K	1
TR-6	"		25B-110	1
TR-7	"		25B-111	1
TR-8	"		25B-112	1
TR-9,10	"		25B-222or223	2
D1	V A R I . C A P .		SD-111	1
D2,3	D I O D E		SD-4 6	2
D4,5	"		"	2
D6	"		"	1
TH1	T H E R M I S T O R		D-325	1
TH2	"		"	1
VC1-4	P O L Y V A R I O N .		YSG-C11-3	1
TC1-4	T R I M . C O N D E N S E R			
TC5,6	"		YSG-C5015-1	1
F. T.	E I N E T U N I N G F		YSG-C5016-1	1
VR,S11	V O L U M E C O N T R O L ( W I T H S W I T C H )		YSG-R6-8-1	1
A	R O D A N T E N N A		YSG-E24-1	1
J.	E A R P H O N E J A C K		YSG-50087C	1
S.P.	S P E A K E R	2X"(7cm116Ω)	YSG-25178	1
S1-8	B A N D S E L E C T O R S W I T C H		YSG-S5013	1
S9,10	A F C & T O N E S W I T C H		YSG-S5014	1
L1	A N T E N N A C O I L ( F M )		YSG-35554	1
L2	R F C O I L ( F M )		YSG-L26-31-1	1
L3	R F C H O K E C O I L		YSG-35889	1
L4	O S C . C O I L ( F M )		YSG-L26-33-1	1
L5	F E R R I T . B A R A N T E N N A , C O I L ( M W )		YSG-L25-33-2	1
L6	O S C . C O I L ( L W )		YSG-L26-7-1	1
L7	" ( M W )		YSG-L26-8-1	1
T1	I . F . T . ( F M )		YSG-T27-30-1	1
T2	" ( F M )		YSG-T27-31-1	1
T3-A	" ( A M )		YSG-T27-4-1A	1
T3B-	" ( A M )		YSG-T27-4-1B	1
T4	" ( F M )		YSG-T27-31-2	1
T5	" ( A M )		YSG-T27-5-1	1
T6-A	R A T I O T . ( F M )		YSG-T27-32-1A	1
T6-B	" ( " )		YSG-T27-32-1B	1
T7	I . F . T . ( A M )		YSG-T27-6-1	1
T8	I N P U T T R A N S		YSG-T9-1	1
P1	T E R M I N A L		01-62778	1
R1	C A R B O N R E S I S T O R	RD <sub>16</sub> STZ 4800 J	YSG-R18-1	1
R2	"	" 3.6KΩ or 4.8KΩ	"	1
R3	"	" 5.6KΩ "	"	1
R4	"	" 56Ω "	"	1
R5	"	" 1KΩ "	"	1
R6	"	" 4.7KΩ "	"	1
R7	"	" 12KΩ "	"	1
R8	"	" 56Ω or 100Ω	"	1
R9	"	" 22Ω "	"	1
R10	"	" 33KΩ "	"	1
R11	"	" 8KΩ	"	1

DESIG.	N A M E	R A T I N G	S P E C I F I C A T I O N	Q T Y
R12	C A R B O N R E S I S T O R	RD <sub>16</sub> STZ 4800 J	YSG-R18-1	1
R14	"	" 47KΩ "	"	1
R16	"	" 1 KΩ "	"	1
R17	"	" 2.7KΩ "	"	1
R18	"	" 2.7KΩ "	"	1
R19	"	" 3 KΩ "	"	1
R20	"	" 8.2KΩ "	"	1
R21	"	" 1 KΩ "	"	1
R50	"	" 680Ω "	"	1
R23	"	" 150Ω "	"	1
R24	"	" 27 KΩ "	"	1
R25	"	" 27 KΩ "	"	1
R26	"	" 18 KΩ "	"	1
R27	"	" 120KΩ "	"	1
R28	"	" 2.2KΩ "	"	1
R29	"	" 120KΩ "	"	1
R30	"	" 15KΩ "	"	1
R31	"	" 1.5KΩ "	"	1
R32	"	" 4.7KΩ "	"	1
R49	"	" 18KΩ "	"	1
R34	"	" 1MΩ "	"	1
R35	"	" 1MΩ "	"	1
R36	"	" 47KΩ "	"	1
R37	"	" 27KΩ "	"	1
R38	"	" 56Ω "	"	1
R39	"	" 1.5KΩ "	"	1
R40	"	" 47KΩ "	"	1
R41	"	" 5.6KΩ "	"	1
R42	"	" 390Ω "	"	1
R43	"	" 160Ω "	"	1
R44	"	" 2.7KΩ "	"	1
R45	"	" 2.7KΩ "	"	1
R46	"	" 260Ω "	"	1
R47	"	" 260Ω "	"	1
R48	"	" 3.3KΩ "	"	1
CC1	D O U B L E P O L Y E T H I R C O N	330PF X 2K	YSG-C5-5-1K	1
C1	C E R A M I C C O N D E N S E R	SH 20PF J	YSG-C14-4	1
C2	"	SH 10PF J	"	1
C3	T I T A N I U M "	.005µF	YSG C2-3	1
C4	C E R A M I C "	SH 20PF J	YSG-C14-4	1
C5	"	SJ 3PF D	"	
C6	"	SH 10PF J	"	1
C7	"	SL 100PF K	YSG-C14-2	1
C8	T I T A N I U M C O N D E N S E R	.005µF	YSG-C2-3	1
C9,53	"	"	"	2
C10	"	"	"	1
C11	C E R A M I C "	SH15PF J	YSG-C14-4	1
C12	"	SH12PF J	"	1
C13	"	SH 6.8PF D	"	1
C14	"	SH 4PF J	"	1
C15	M Y L A R "	.0047µF M	YSG-C5-1-7M	1

