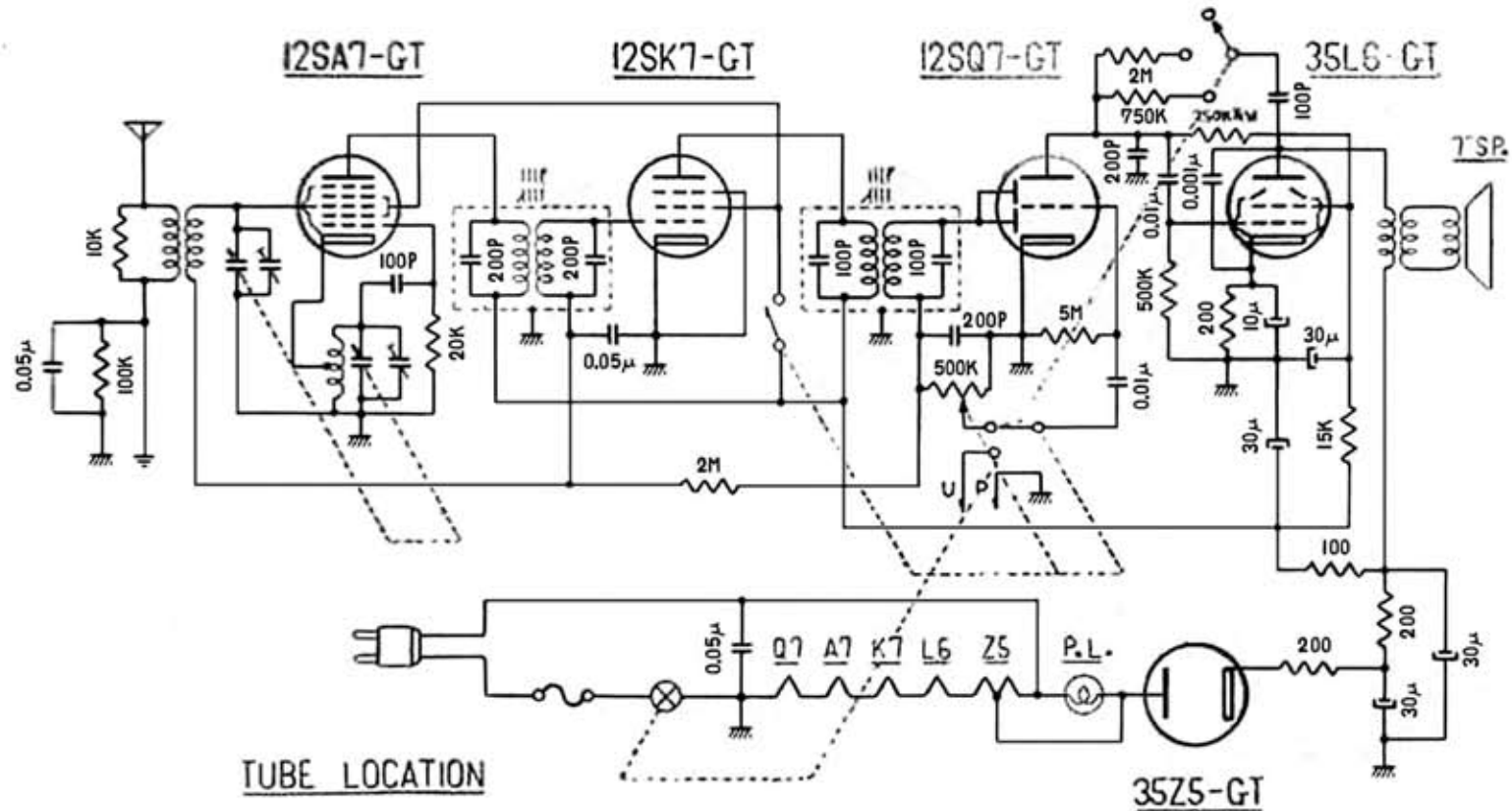
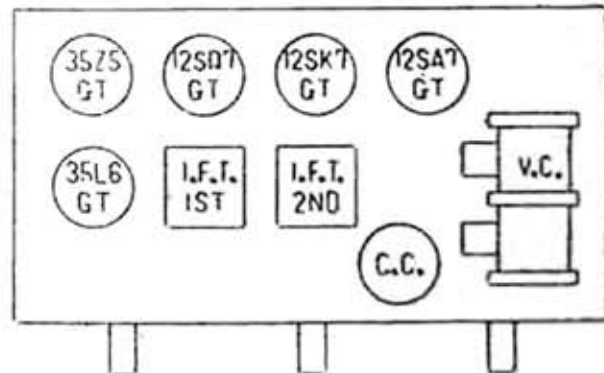




Columbia R-540 WIRING DIAGRAM



TUBE LOCATION



VOLTAGE	100 V
FREQUENCY	50-60 ~
POWER CONSUMPTION	25 V.A
UNDISTORTED OUTPUT	0.7 W

Edit by JA3GZP

NIPPON COLUMBIA CO., LTD. KAWASAKI, JAPAN.