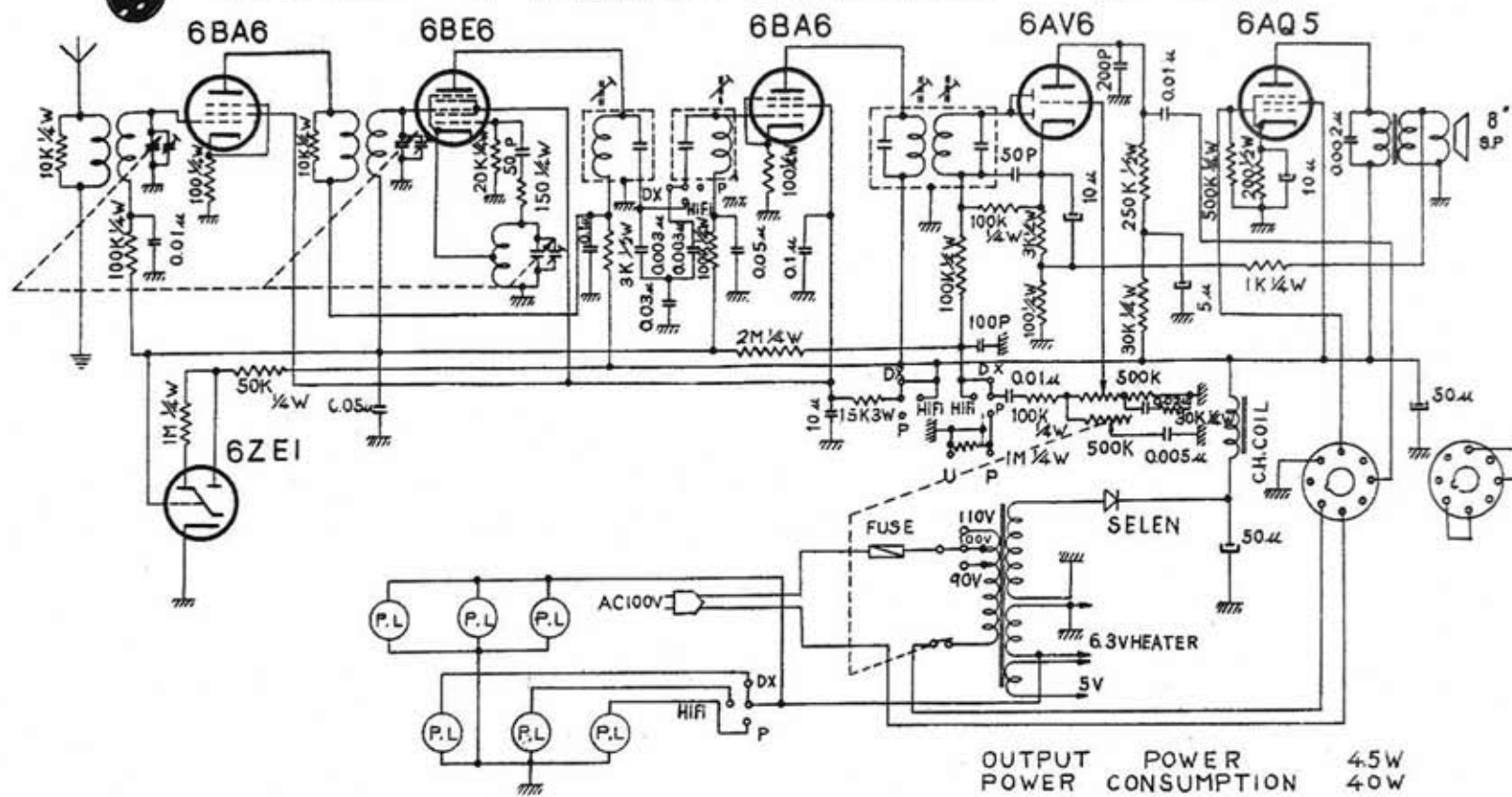
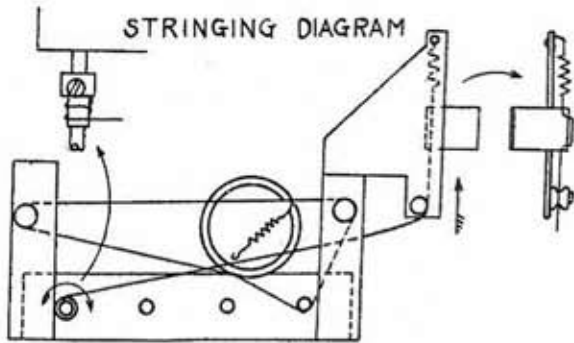
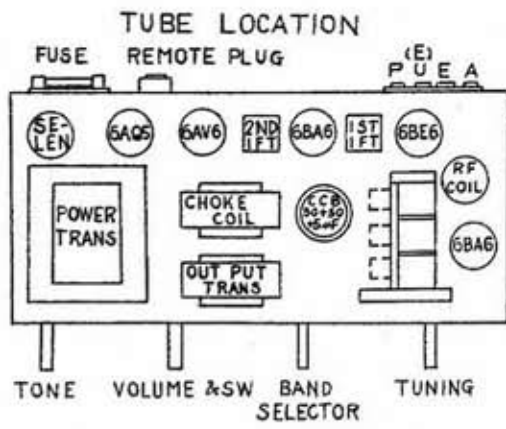


*Columbia* WIRING DIAGRAM R-725



OUTPUT POWER 4.5W  
POWER CONSUMPTION 40W



**NIPPON COLUMBIA CO., LTD. KAWASAKI, JAPAN.**