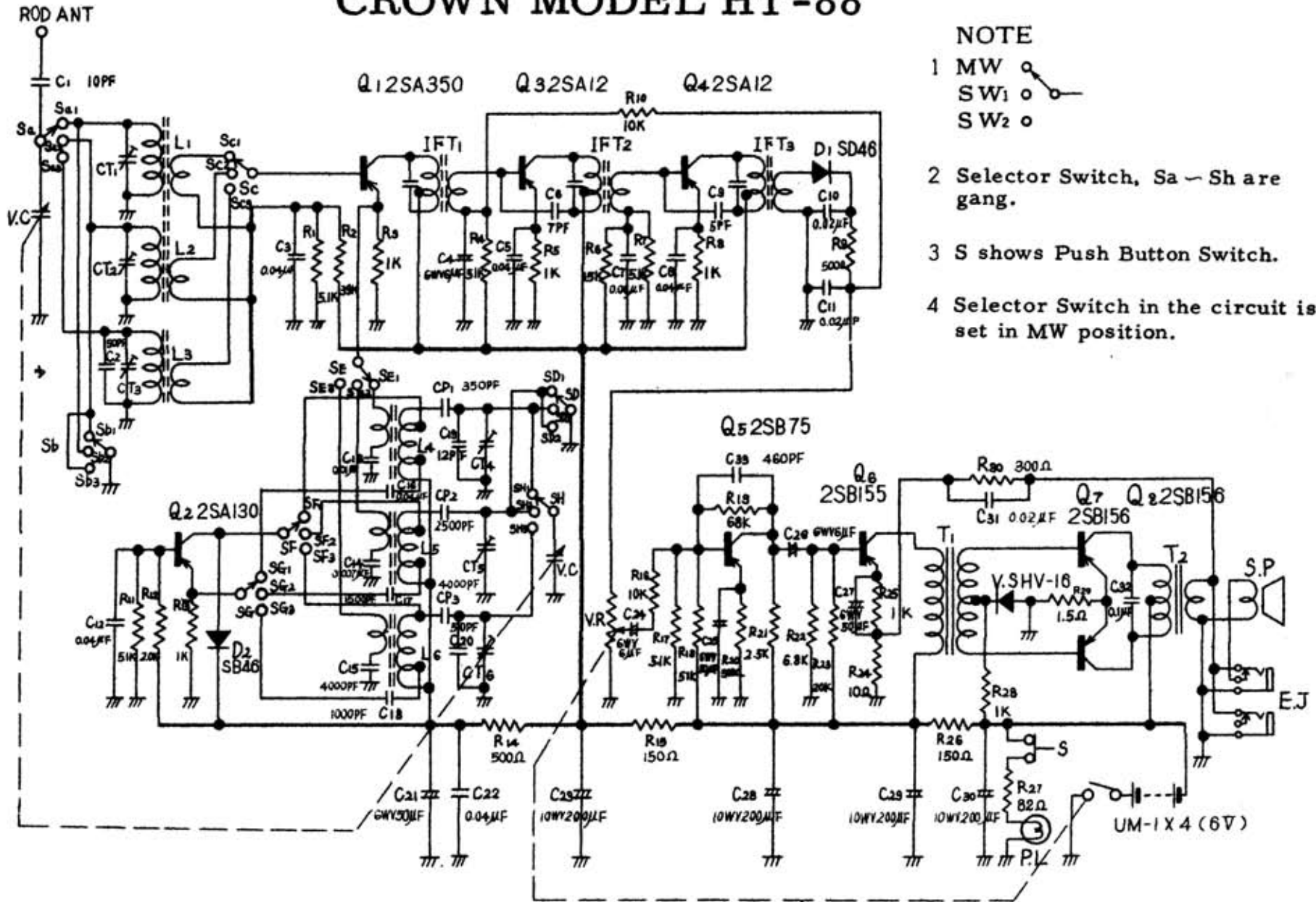

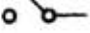



# CROWN MODEL HT-88



## NOTE

- 1 MW   
 SW<sub>1</sub>   
 SW<sub>2</sub> 
- 2 Selector Switch, Sa - Sh are gang.
- 3 S shows Push Button Switch.
- 4 Selector Switch in the circuit is set in MW position.