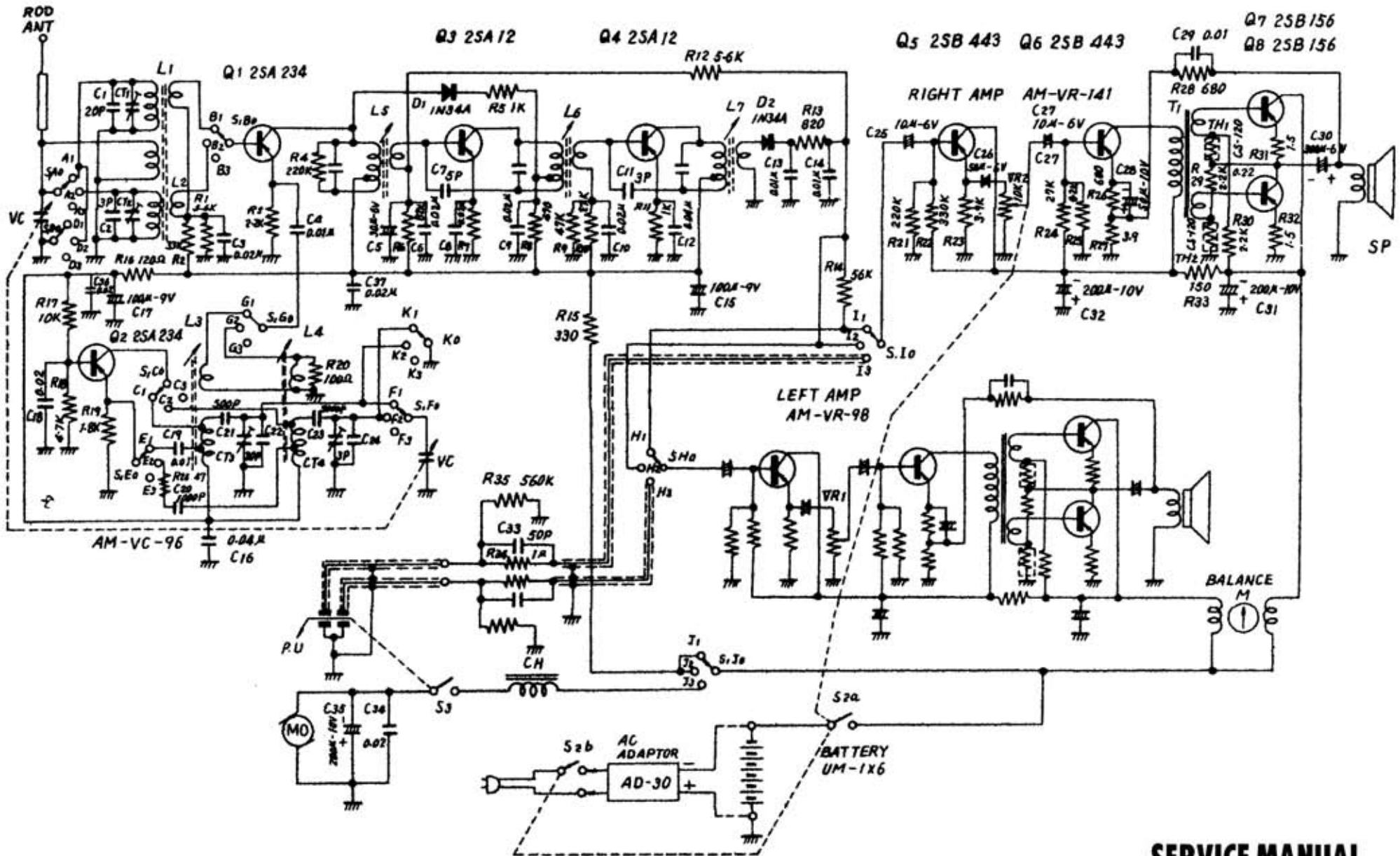


CROWN SPH-120



SERVICE MANUAL