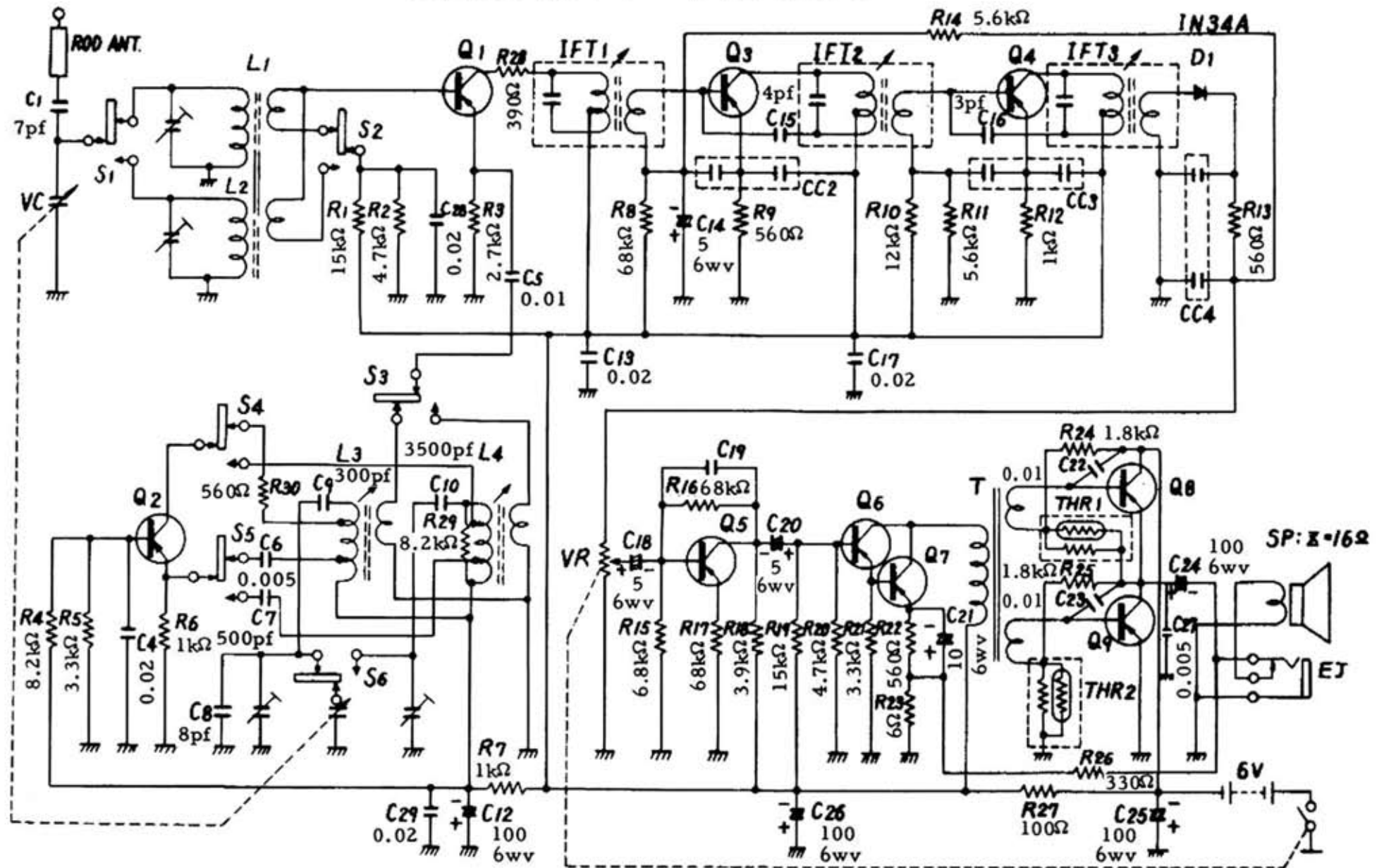


CROWN TR-920



SERVICE MANUAL