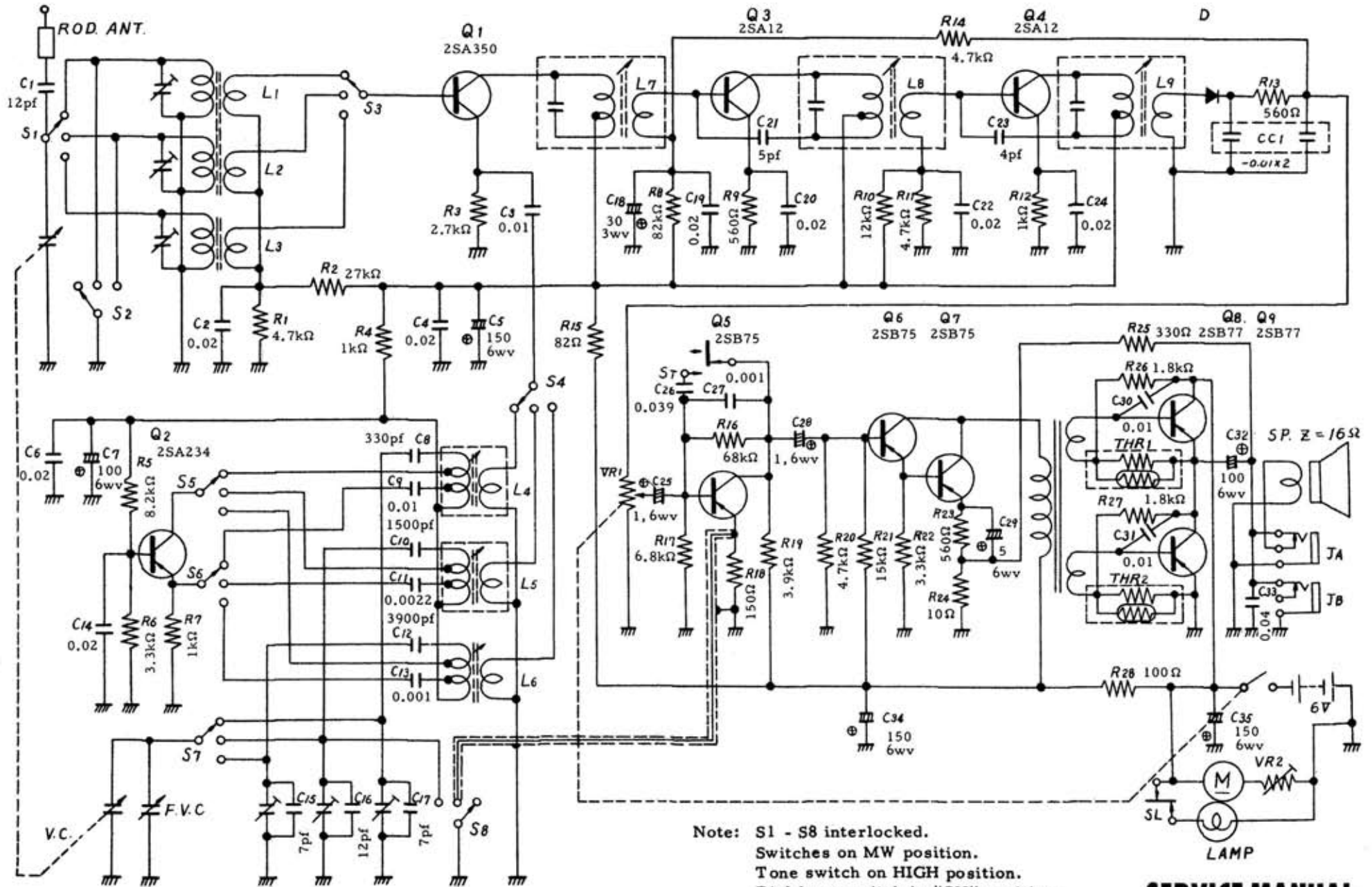


# CROWN MODEL TR-950



Note: S1 - S8 interlocked.  
 Switches on MW position.  
 Tone switch on HIGH position.  
 Dial lamp switch in "ON" position.

**SERVICE MANUAL**