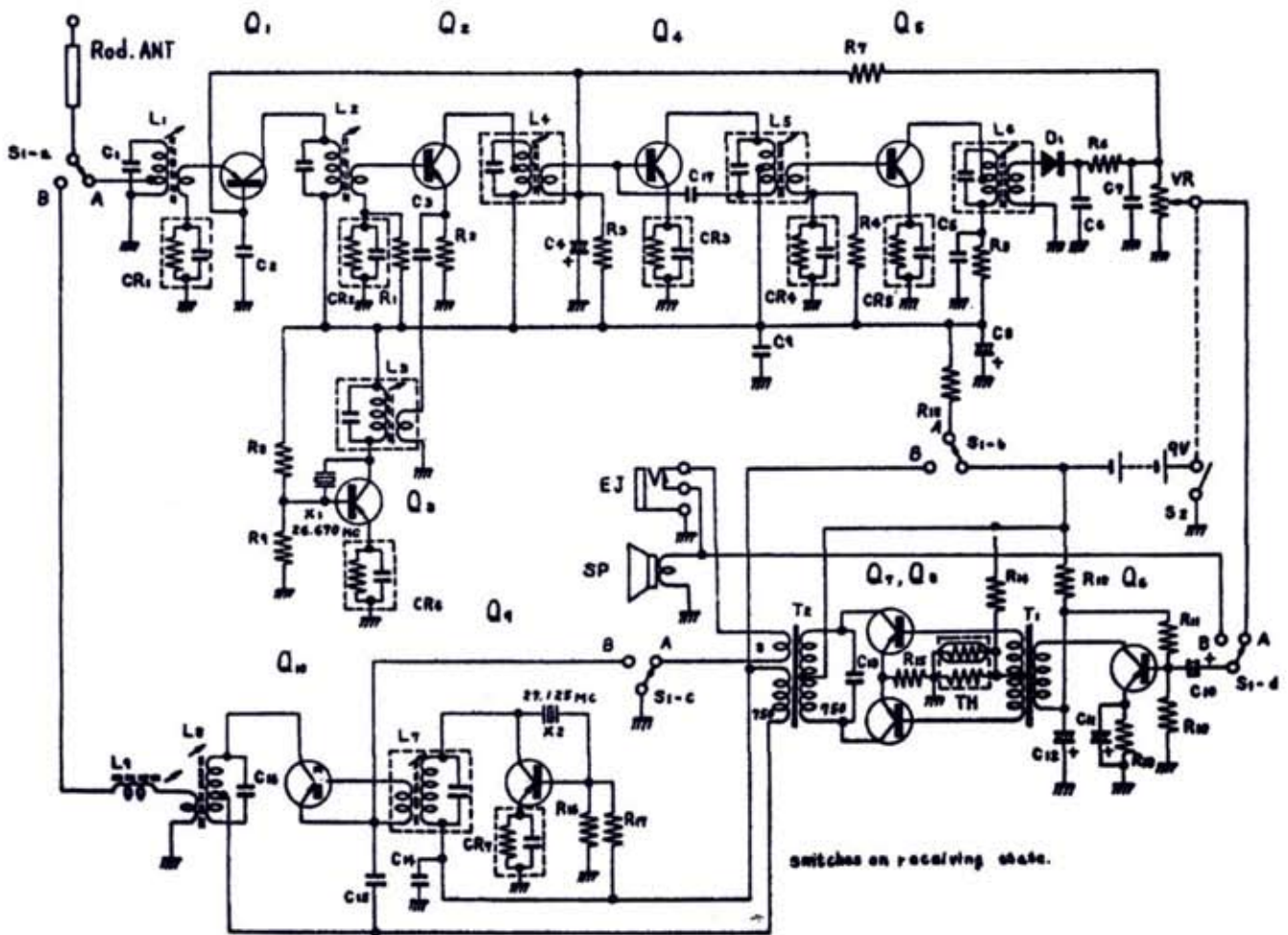


# CROWN MODEL TRQ-1050

## SCHEMATIC DIAGRAM



## REPLACEMENT PARTS

Symbol No.	Description	Symbol No.	Description	Symbol No.	Description
Q1	TRANSISTOR 2SA350		RESISTOR	R17	47k $\Omega$
Q2	2SA350		Fixed compositions, 1/4w, ± 10%, unless otherwise specified.	R18	100 $\Omega$
Q3	2SA350				CAPACITOR
Q4	2SA351	R1	33k $\Omega$	C1	Ceramic, 12pf
Q5	2SA351	R2	1k $\Omega$	C2	Ceramic, 0.02 $\mu$ f
Q6	2SB75	R3	82k $\Omega$	C3	Ceramic, 0.01 $\mu$ f
Q7	2SB77	R4	18k $\Omega$	C4	Electrolytic, 5 $\mu$ f, 6wv
Q8	2SB77	R5	820 $\Omega$	C5	Ceramic, 0.02 $\mu$ f
Q9	2SA350	R6	1k $\Omega$	C6	Ceramic, 0.02 $\mu$ f
Q10	2SA246	R7	5.6k $\Omega$	C7	Ceramic, 0.02 $\mu$ f
D1	DIODE & THERMISTOR 1N34A	R8	47k $\Omega$	C8	Electrolytic, 100 $\mu$ f, 10wv
TH	CS-120	R9	18k $\Omega$	C9	Ceramic, 0.02 $\mu$ f
X1	CRYSTAL O-3	R10	5.6k $\Omega$	C10	Electrolytic, 0.1 $\mu$ f, 10wv
X2	Q-3	R11	39k $\Omega$	C11	Electrolytic, 10 $\mu$ f, 6wv
		R12	820 $\Omega$	C12	Electrolytic, 30 $\mu$ f, 10wv
		R13	1k $\Omega$	C13	Ceramic, 0.04 $\mu$ i
		R14	8.2k $\Omega$	C14	Ceramic, 0.01 $\mu$ f
		R15	10 $\Omega$	C15	Ceramic, 0.04 $\mu$ f
		R16	10k $\Omega$	C16	Ceramic, 14pf
				C17	Ceramic, 1pf