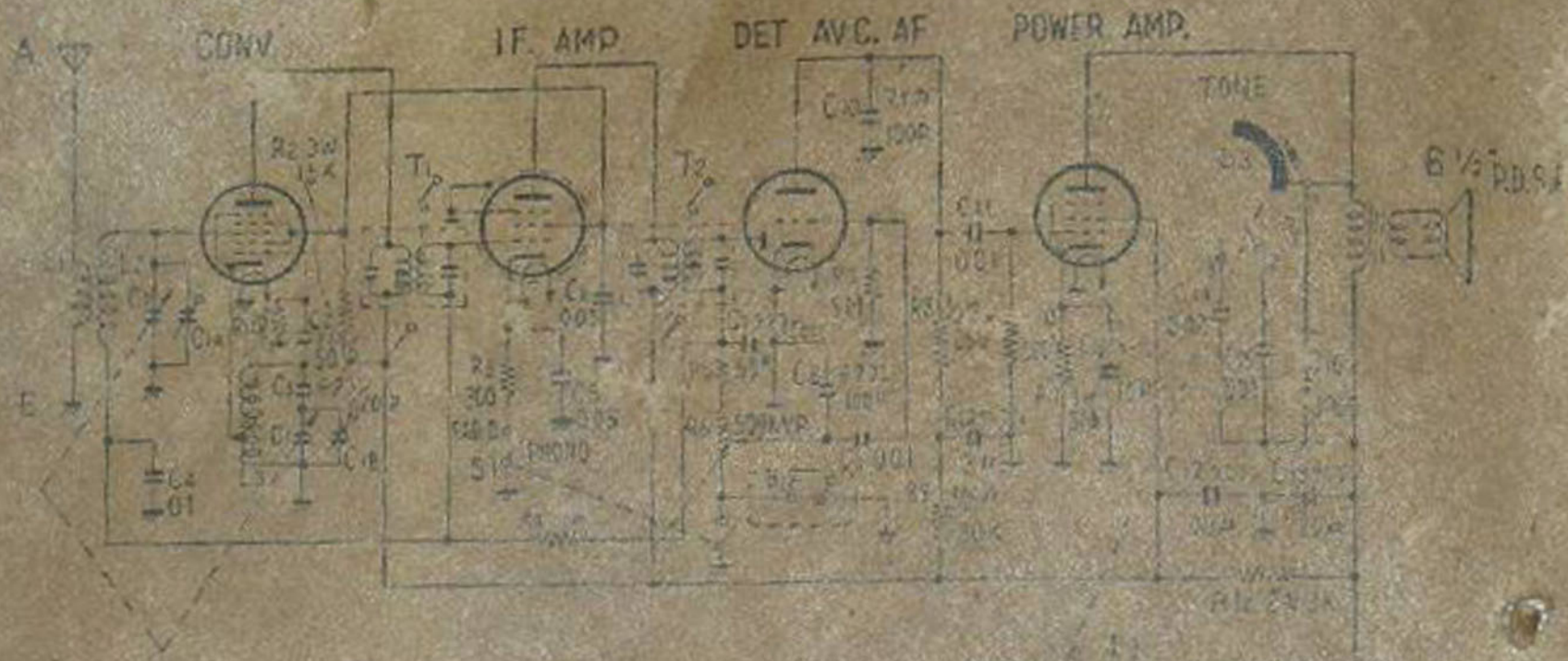


V-1 6WCS

V-2 6DS

V-3 6H3A

V-4 42



IF = 455 KC

FREQ RANGE = 525-16,000

AC 100V 50-60C

V-5 608K
 300.0
 200.0
 100.0

GENERAL 55-28 SUPER RADIO