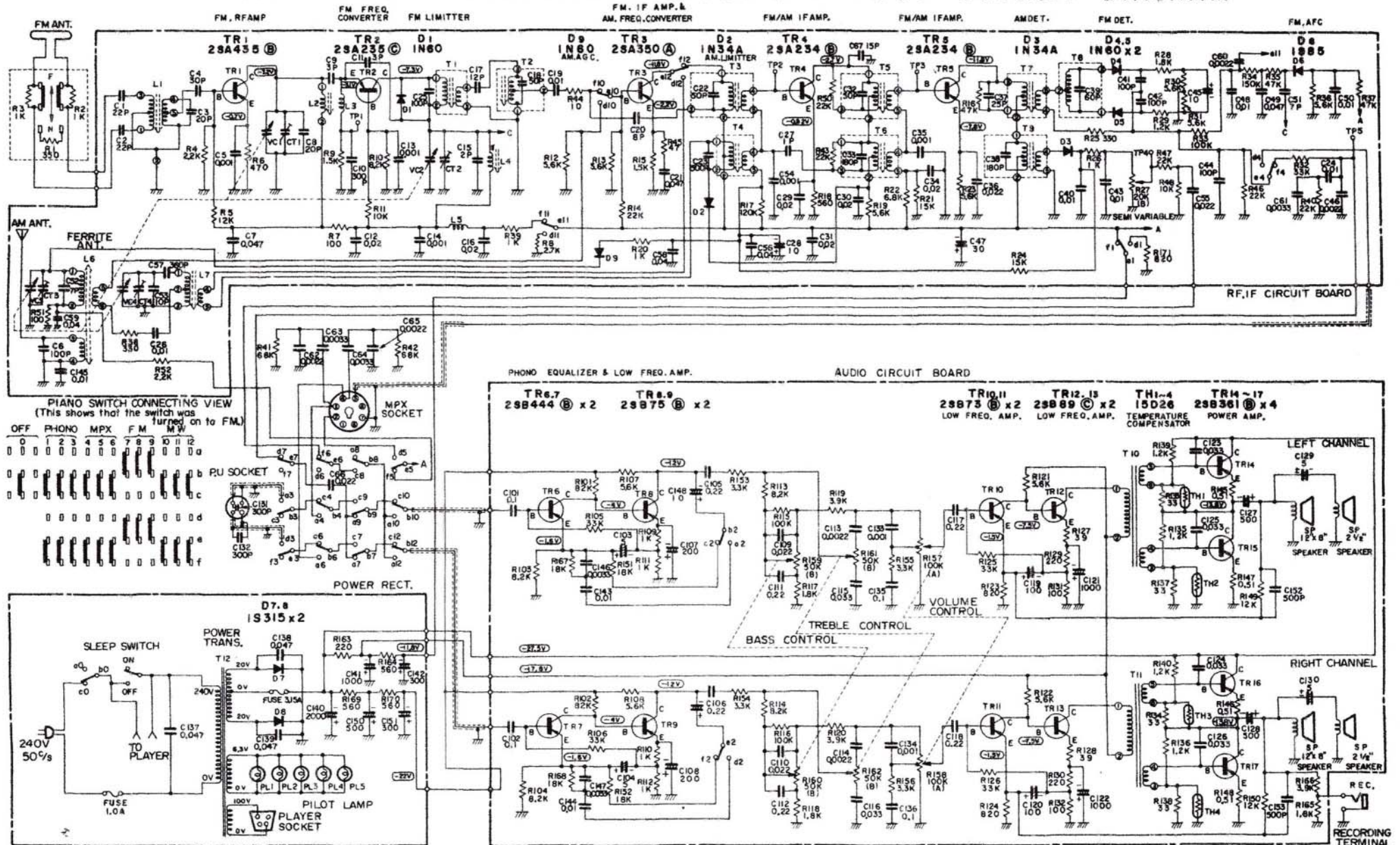


# HITACHI STEREO PHONOGRAPH MODEL DPF-7200 CIRCUIT DIAGRAM



NOTE: Some 2SB361(A) is used in the transistors (TR14 thru 17).  
In this case, ohm of R135 R139 R156 and R140 is 1KΩ.