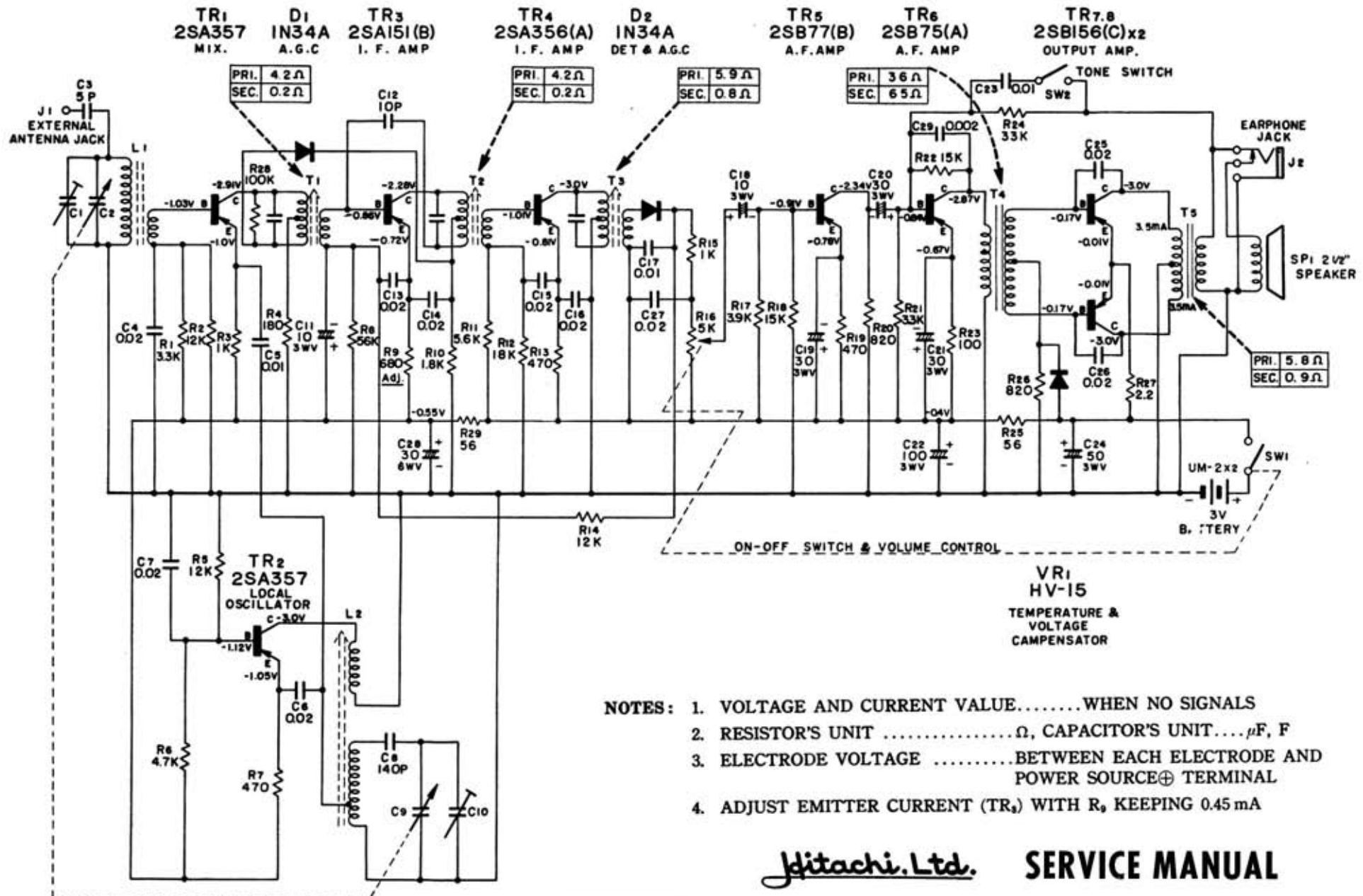


CIRCUIT DIAGRAM TH-841

HITACHI TH-841



- NOTES:
1. VOLTAGE AND CURRENT VALUE.....WHEN NO SIGNALS
  2. RESISTOR'S UNIT .....Ω, CAPACITOR'S UNIT....μF, F
  3. ELECTRODE VOLTAGE .....BETWEEN EACH ELECTRODE AND POWER SOURCE⊕ TERMINAL
  4. ADJUST EMITTER CURRENT (TR<sub>3</sub>) WITH R<sub>9</sub> KEEPING 0.45 mA