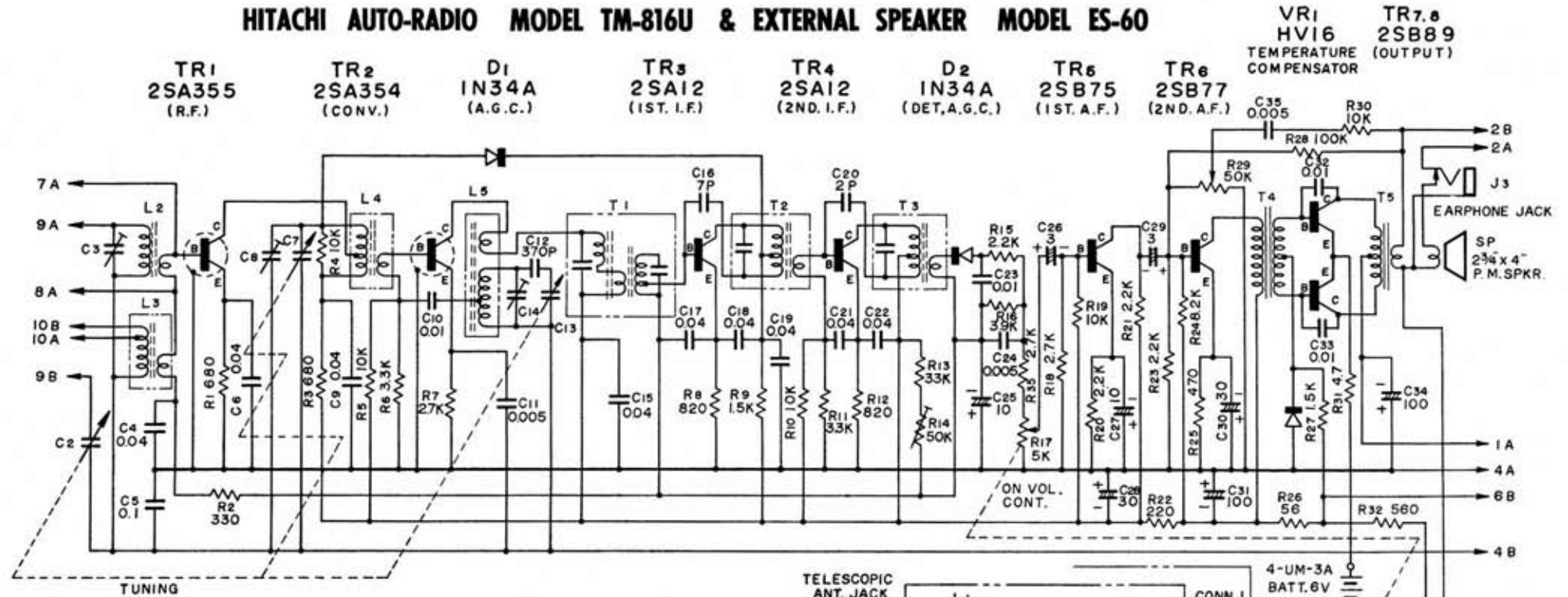


# HITACHI AUTO-RADIO MODEL TM-816U & EXTERNAL SPEAKER MODEL ES-60



1. CON.1; MULTI CONNECTOR CONN.2; SHUNT PLUG
2. R14 IS A RESISTOR FOR CURRENT REGULATION.
3. R17 AND R29; VOLUME
4. RESISTANCE VOLUMES IN OHMS. K=1000  
CAPACITANCE VALUES IN MF. UNLESS INDICATED.

	TR <sub>1</sub>	TR <sub>2</sub>	TR <sub>3</sub>	TR <sub>4</sub>	TR <sub>5</sub>	TR <sub>6</sub>	TR <sub>7,8</sub>
EMITTER (V)	-0.34	-1.0	-0.41	-0.82	-0.94	-0.88	-0.02
BASE (V)	-0.51	-0.55	-0.55	-0.99	-1.1	-1	-0.16
COLLECTOR (V)	-4.5	-4.7	-4.1	-4.7	-4	-5.2	-6
EMITTER CURRENT (mA)	0.5	0.35	0.5	1	0.4	2	4.25

	T <sub>1</sub>	T <sub>2</sub>	T <sub>3</sub>	T <sub>4</sub>	T <sub>5</sub>	
AC RESISTANCE	PRI.	5	8.4	8.6	170	12.4
	SEC.	5.2	0.39	0.93	130	0.5

