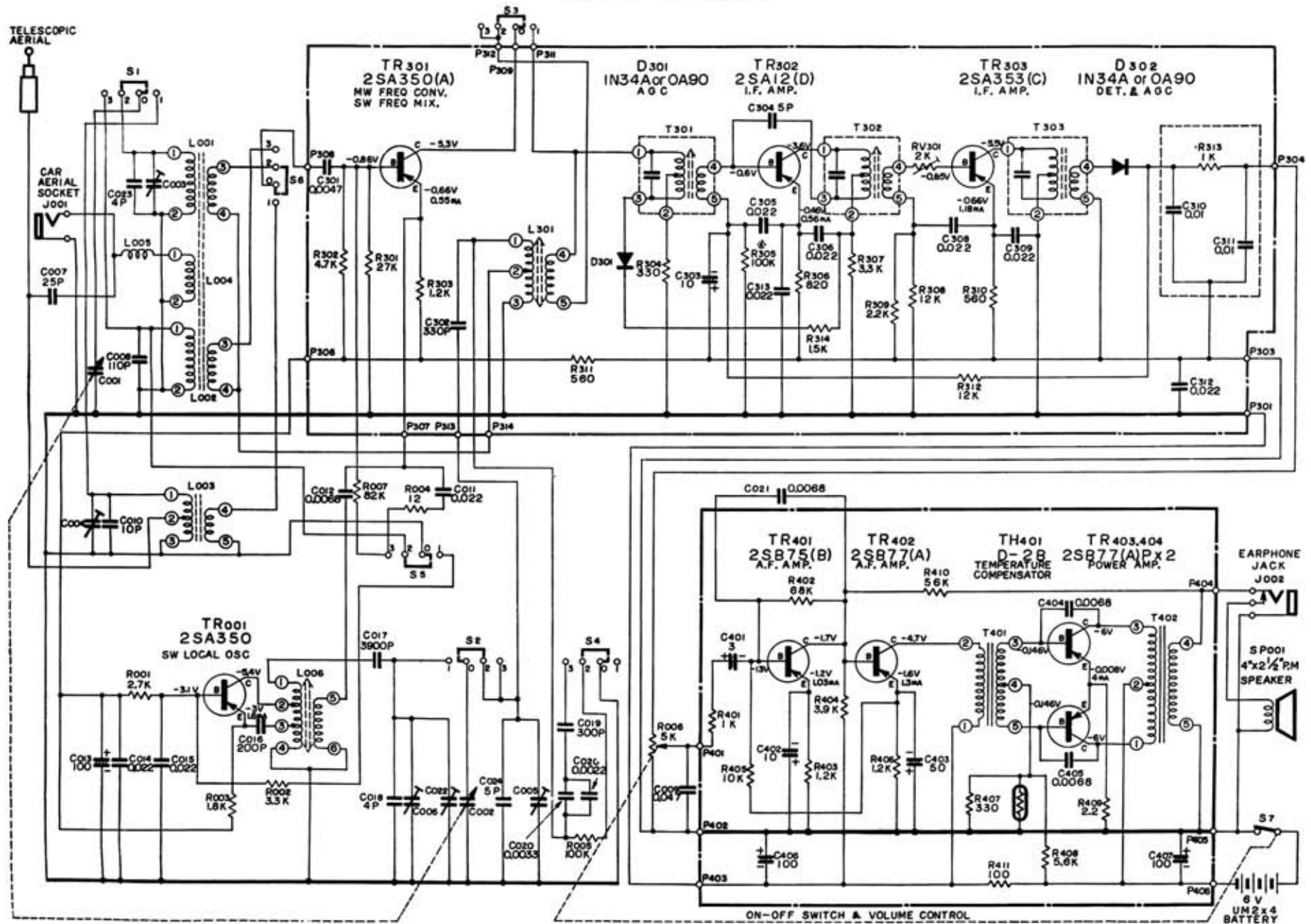


WH-837E



Note : C 007 is changed to 20 pF and
R 004 is changed to 56Ω.