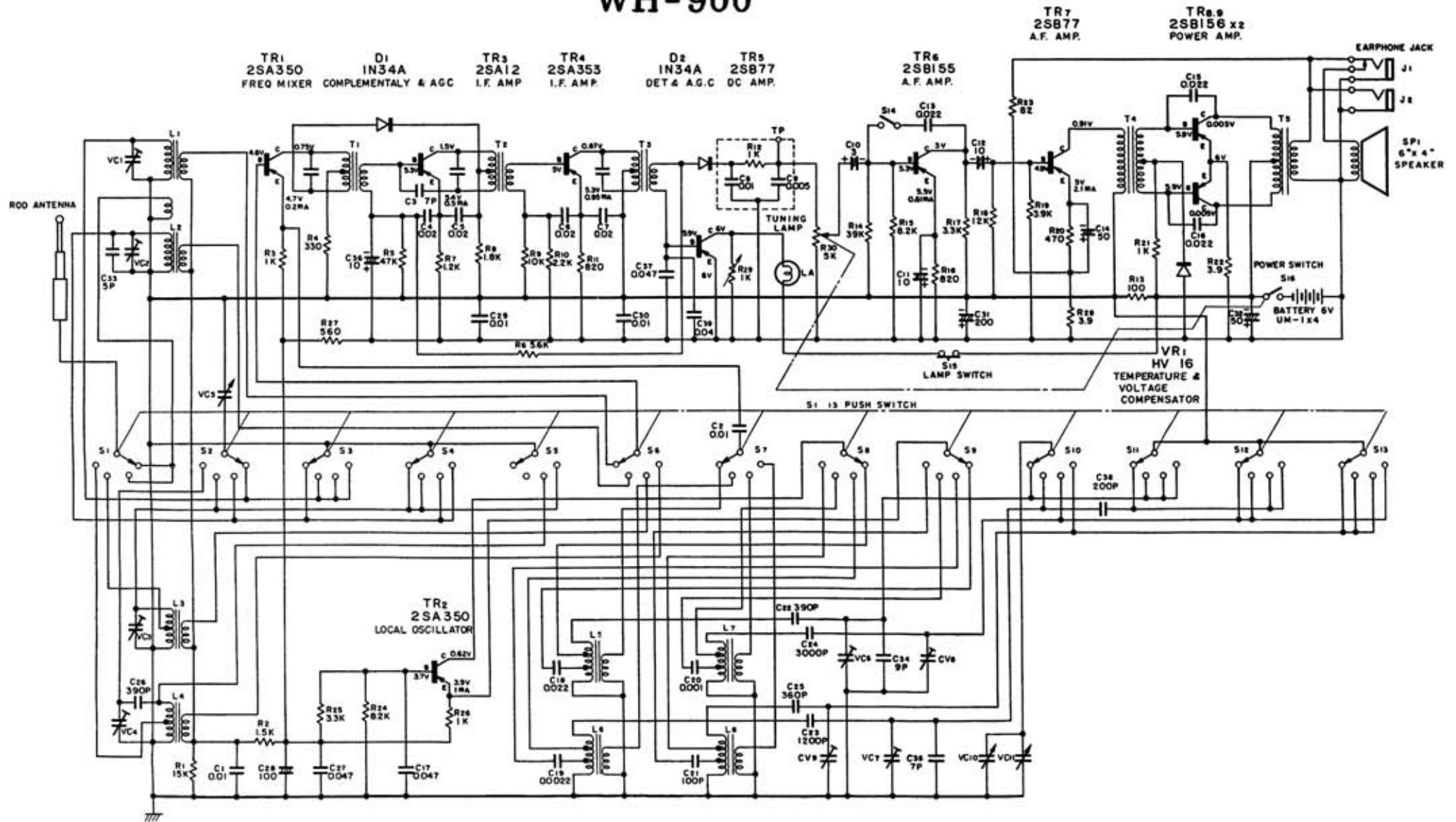


WH-900



- NOTES: 1. Units of Ω and μF are omitted.
 2. Direct current resistance of driver transformer (T_1).....PR1. 68 Ω , SEC. 88 Ω .
 Direct current resistance of output transformer (T_2)PR1. 3.3 Ω , SEC. 0.4 Ω .

ERRATA: 1.

Change	into
CV8	VC8
CV9	VC9

Hitachi, Ltd.

SERVICE MANUAL