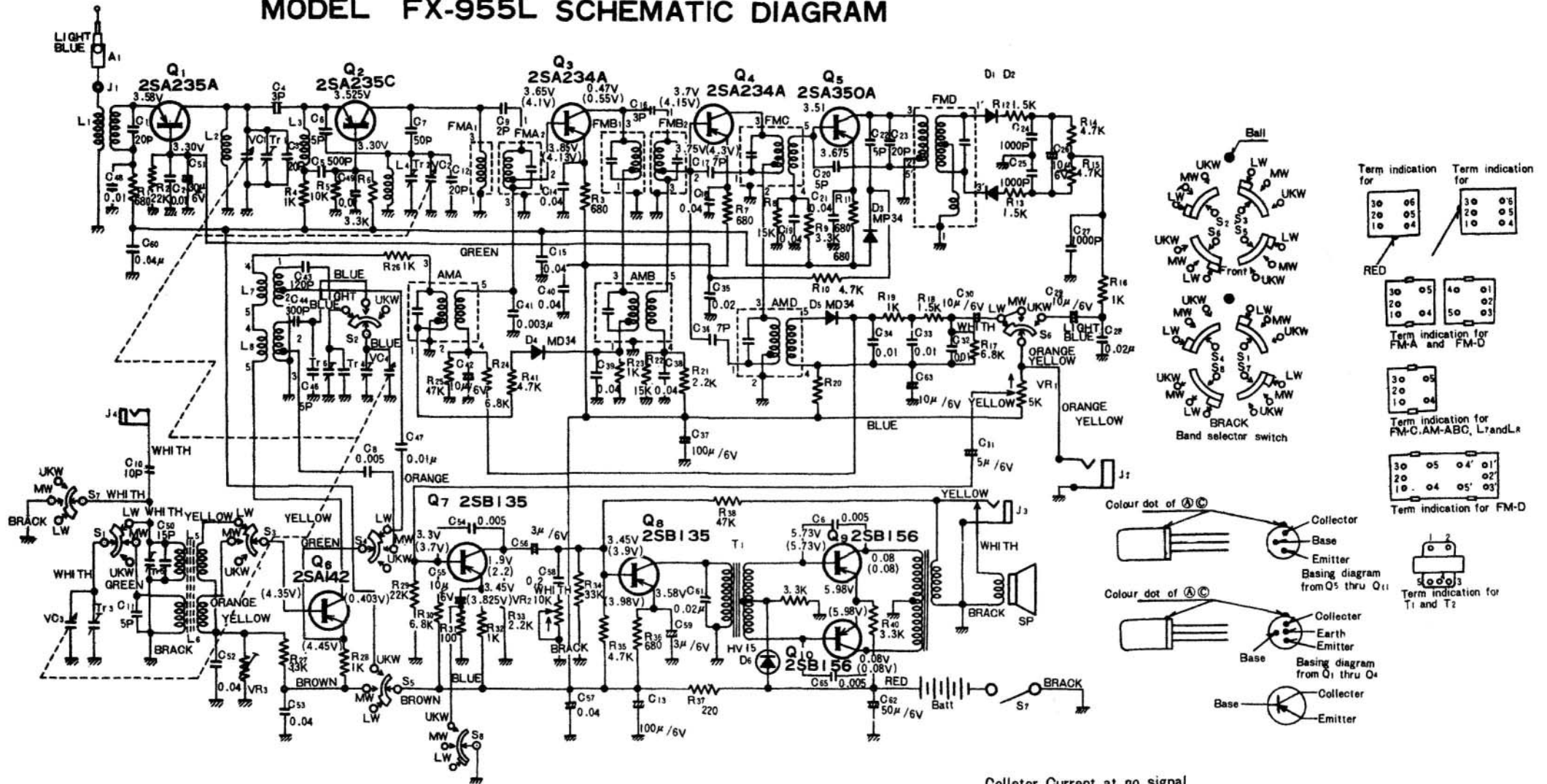


# MODEL FX-955L SCHEMATIC DIAGRAM



- NOTES: 1. S<sub>1</sub> ~ S<sub>8</sub> : Band selector switch is now "LW" position.  
 2. All resistance values are in ohms K = 1000.  
 All capacitance values in  $\mu F$  P =  $\mu\mu F$ .  
 3. Voltages measured from negative (-) side of battery.  
 4. Battery current: no signal AM; 10~11mA FM; 11~12mA maximum output : 75mA.  
 5. Q<sub>10</sub> and Q<sub>11</sub> are a matched pair.  
 6. All voltage values are in volts D. C.  
 7. Voltage descriptions in ( ) are values at AM state.

### Collector Current at no signal

Q <sub>1</sub>	2SA 235A	0.09 - 1.40mA
Q <sub>2</sub>	2SA 235C	0.07 - 0.09mA
Q <sub>3</sub>	2SA 234	0.04 - 0.60mA
Q <sub>4</sub>	2SA 234	0.04 - 0.60mA
Q <sub>5</sub>	2SA 350	0.58 - 0.90mA
Q <sub>6</sub>	2SA 142	0.4mA ± 0.02mA at low end of MW
Q <sub>7</sub>	2SB 135	0.80 - 0.94mA
Q <sub>8</sub>	2SB 135	0.80 - 1.14mA
Q <sub>9</sub> Q <sub>10</sub>	2SB 156	1.74 - 2.54mA

