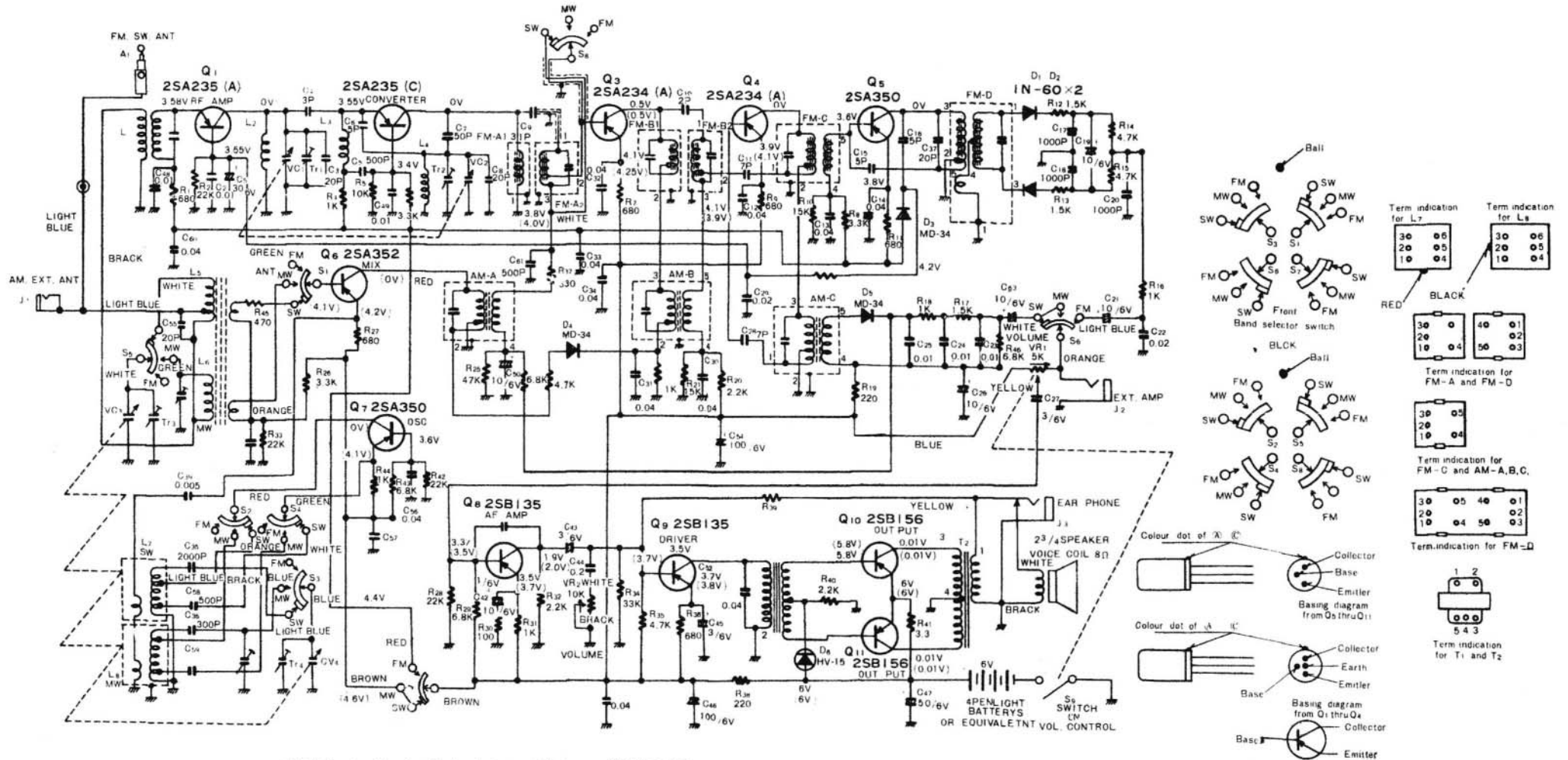


# SCHEMATIC DIAGRAM MODEL FX-955



- NOTES
1. S<sub>1</sub>—S<sub>8</sub>: Band selector switch is now "SW" position
  2. All resistance values are in ohms. K 1000  
All capacitance values in μF P—μμF
  3. Voltages measured from negative ( - ) side of battery.
  4. Battery current: no signal AM: 10—11mA FM: 11—12mA  
maximum output 75mA
  5. Q<sub>10</sub> and Q<sub>11</sub> are a matched pair
  6. All voltage values are in volts D.C.
  7. Voltage descriptions in ( ) are values at AM state.

