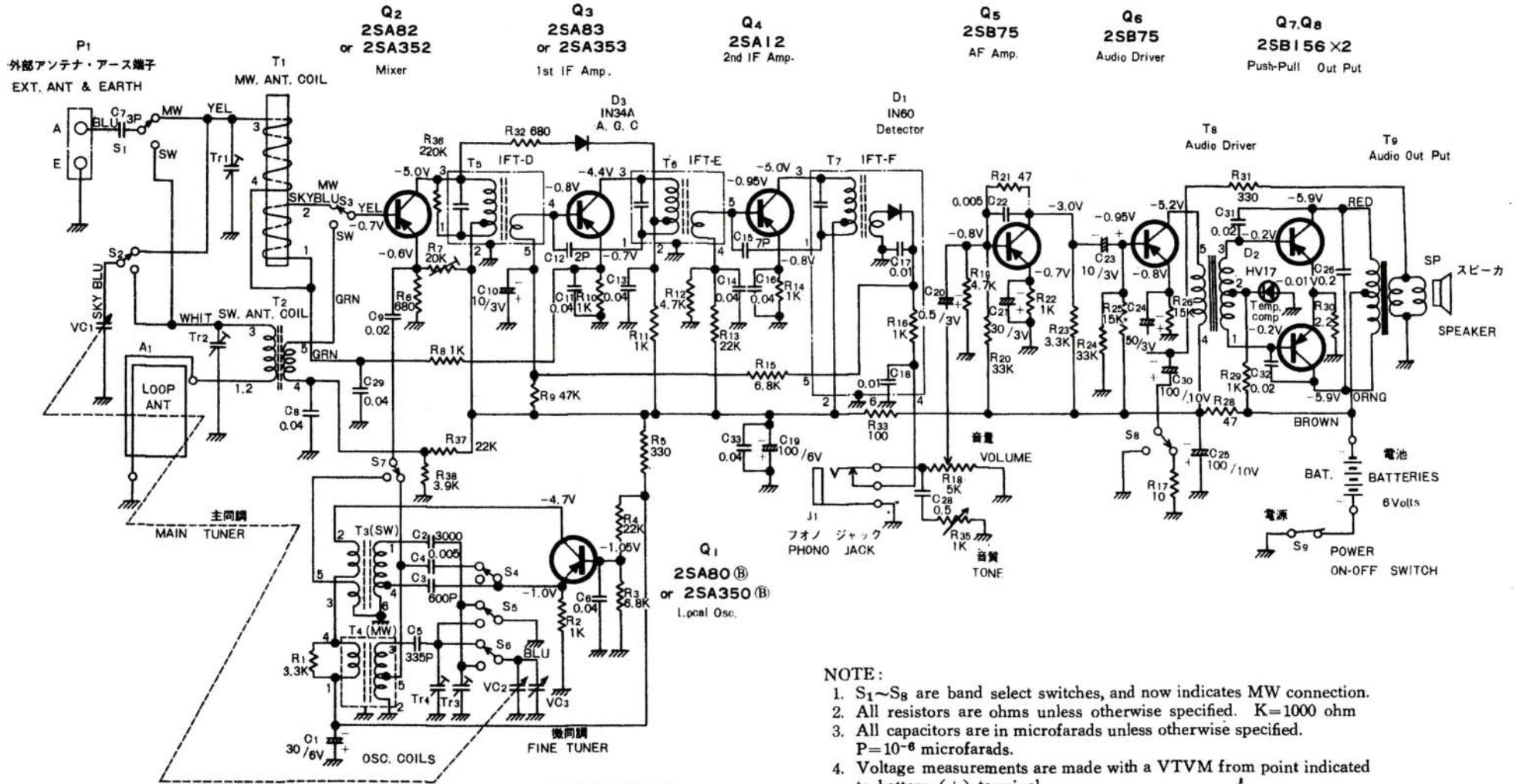


Model TR-443 Schematic Diagram



NOTE:

1. S₁~S₈ are band select switches, and now indicates MW connection.
2. All resistors are ohms unless otherwise specified. K=1000 ohm
3. All capacitors are in microfarads unless otherwise specified.
P=10⁻⁶ microfarads.
4. Voltage measurements are made with a VTVM from point indicated to battery (+) terminal.
5. With no signal and at minimum volume control total battery drain should be approx. 14 mA

