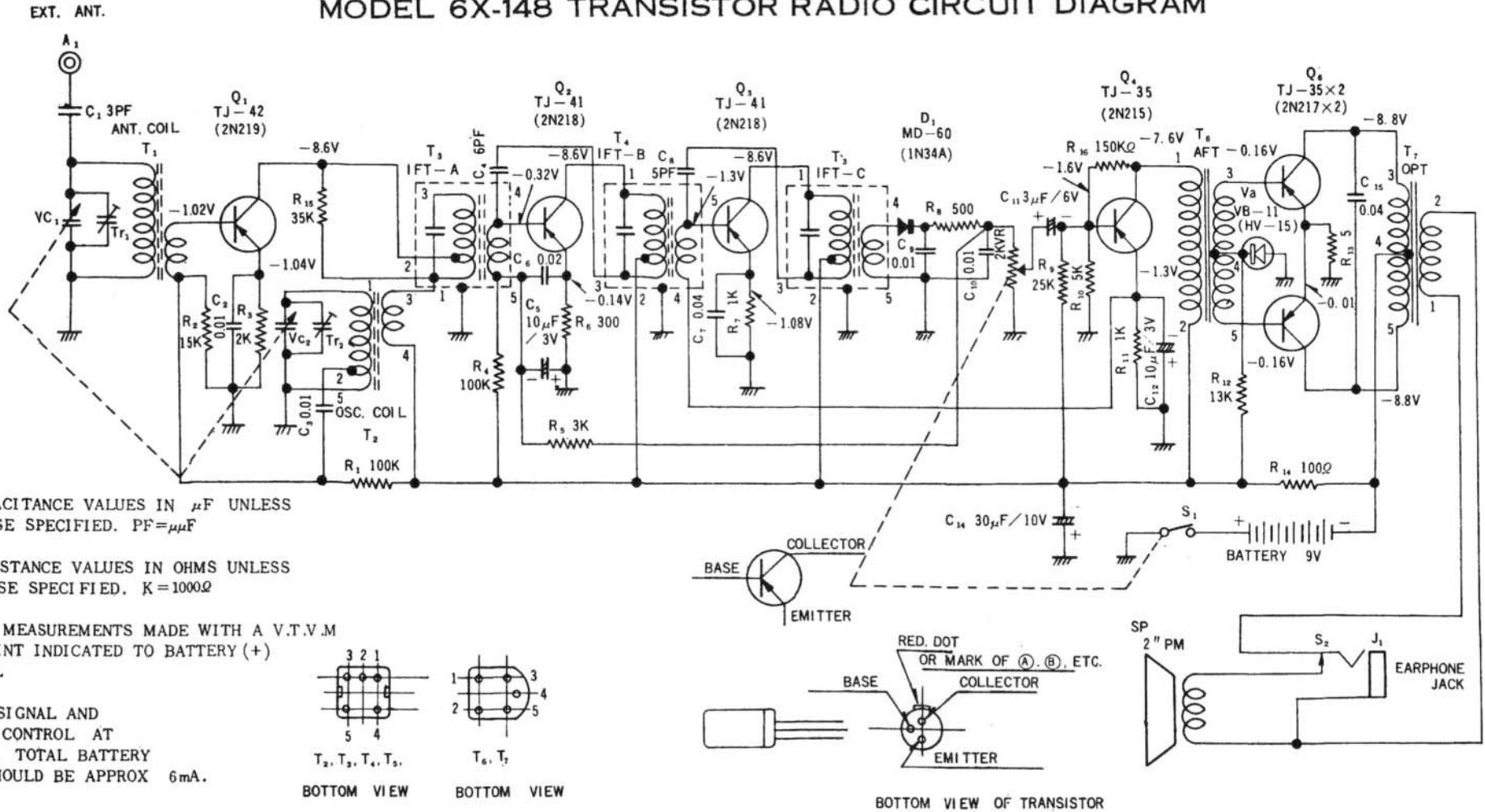


# MODEL 6X-148 TRANSISTOR RADIO CIRCUIT DIAGRAM



**NOTES :**

- 1, ALL CAPACITANCE VALUES IN  $\mu F$  UNLESS OTHERWISE SPECIFIED. PF= $\mu\mu F$
- 2, ALL RESISTANCE VALUES IN OHMS UNLESS OTHERWISE SPECIFIED. K=1000 $\Omega$
- 3, VOLTAGE MEASUREMENTS MADE WITH A V.T.V.M FROM POINT INDICATED TO BATTERY (+) TERMINAL
- 4, WITH NOSIGNAL AND VOLUME CONTROL AT MINIMUM, TOTAL BATTERY DRAIN SHOULD BE APPROX 6mA.

