

Mitsubishi 7X164

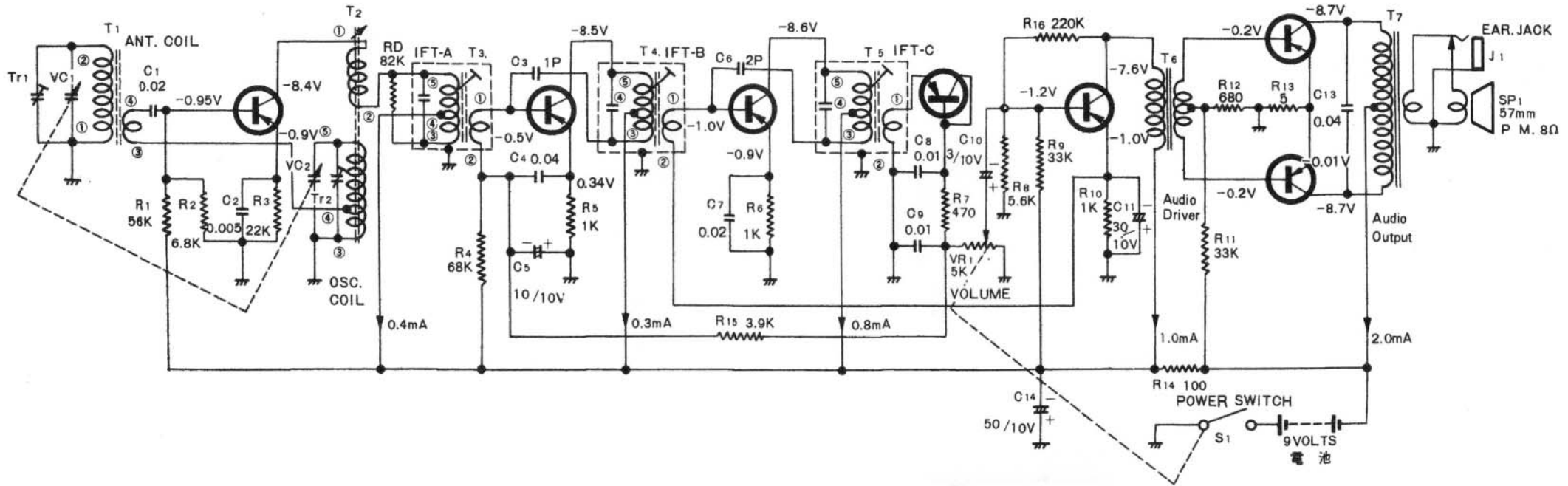
Q1 CONVERTER
2SA103DA

Q2 1ST IF AMP.
2SA101AA

Q3 2ND IF AMP.
2SA100B

Q4 DETECTOR Q5 AUDIO AMP.
2SA100A 2SB170

Q6, Q7 AUDIO OUTPUT.
2SB172A × 2
(MATCHED PAIR)



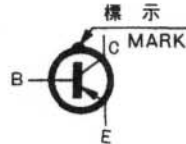
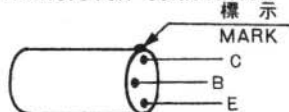
底视图
BOTTOM VIEW
T2



底视图
BOTTOM VIEW
T3 T4 T5



トランジスターの接続図
TRANSISTOR CONNECTION
標示



NOTE:

1. All resistors are ohms unless otherwise specified. K = 1000 ohm.
2. All capacitors are in microfarads otherwise specified. P = 10^{-6} microfarads.
3. Voltage measurements are made with a VTVM from point indicated to battery (+) terminal.
4. With no signal and at minimum volume control total battery drain should be approx. 6mA.