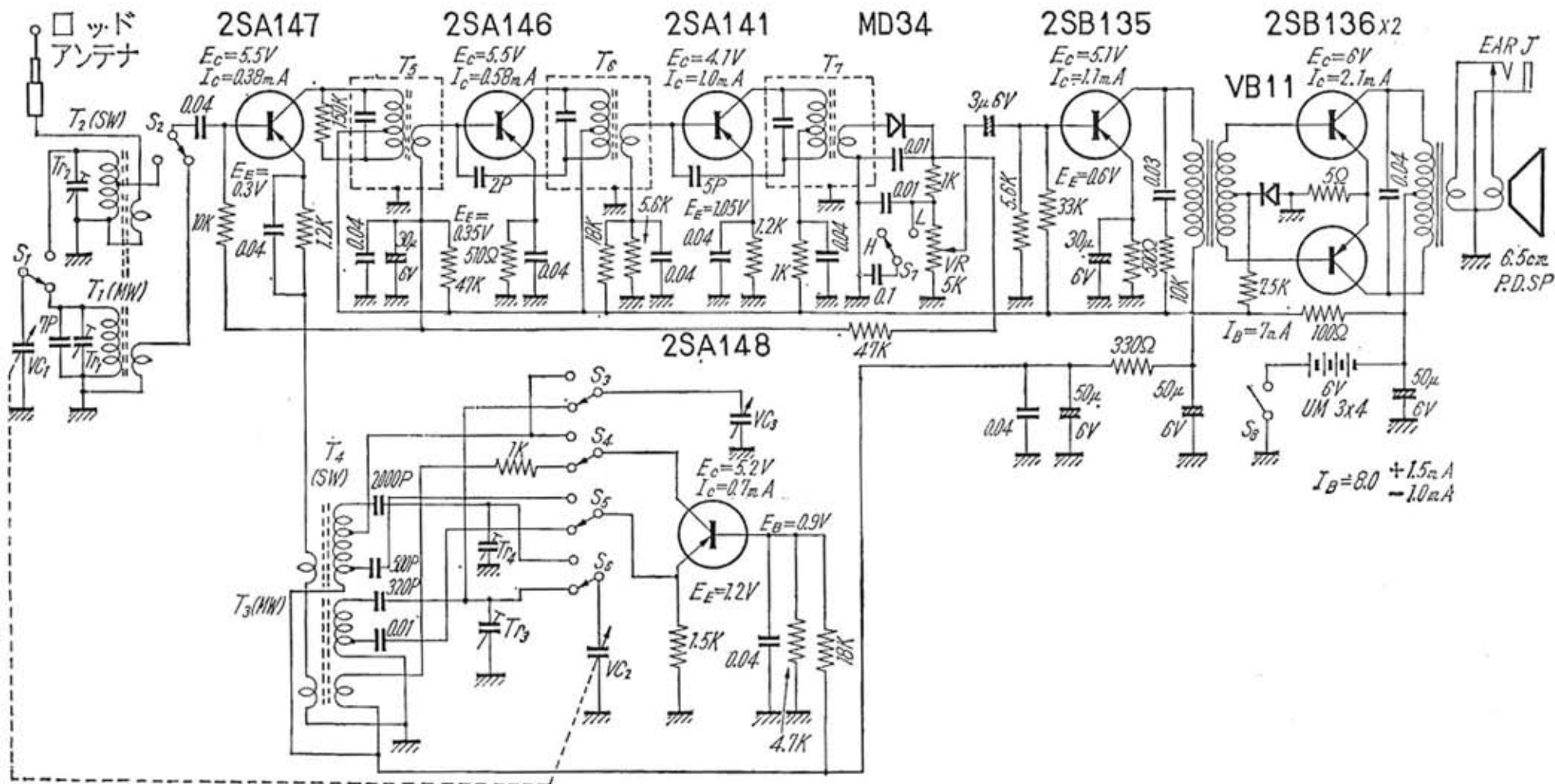


三菱 7X-588 2 バンド・ポータブル

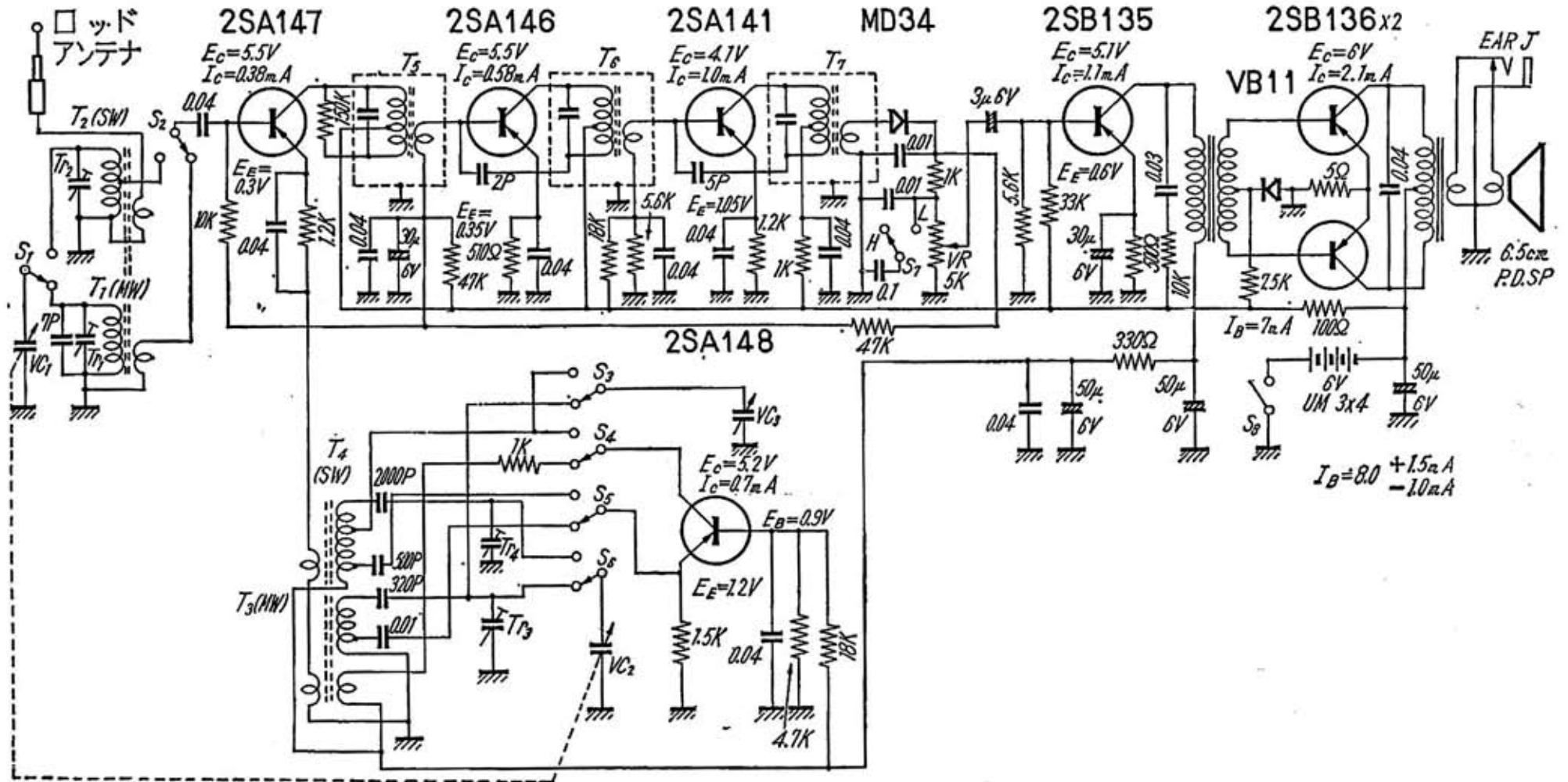
受信周波数…MW 535~1605 kc
SW 3.9~12 Mc

出力…無歪 180 mW 最大 250 mW
電源…UM-3A×4

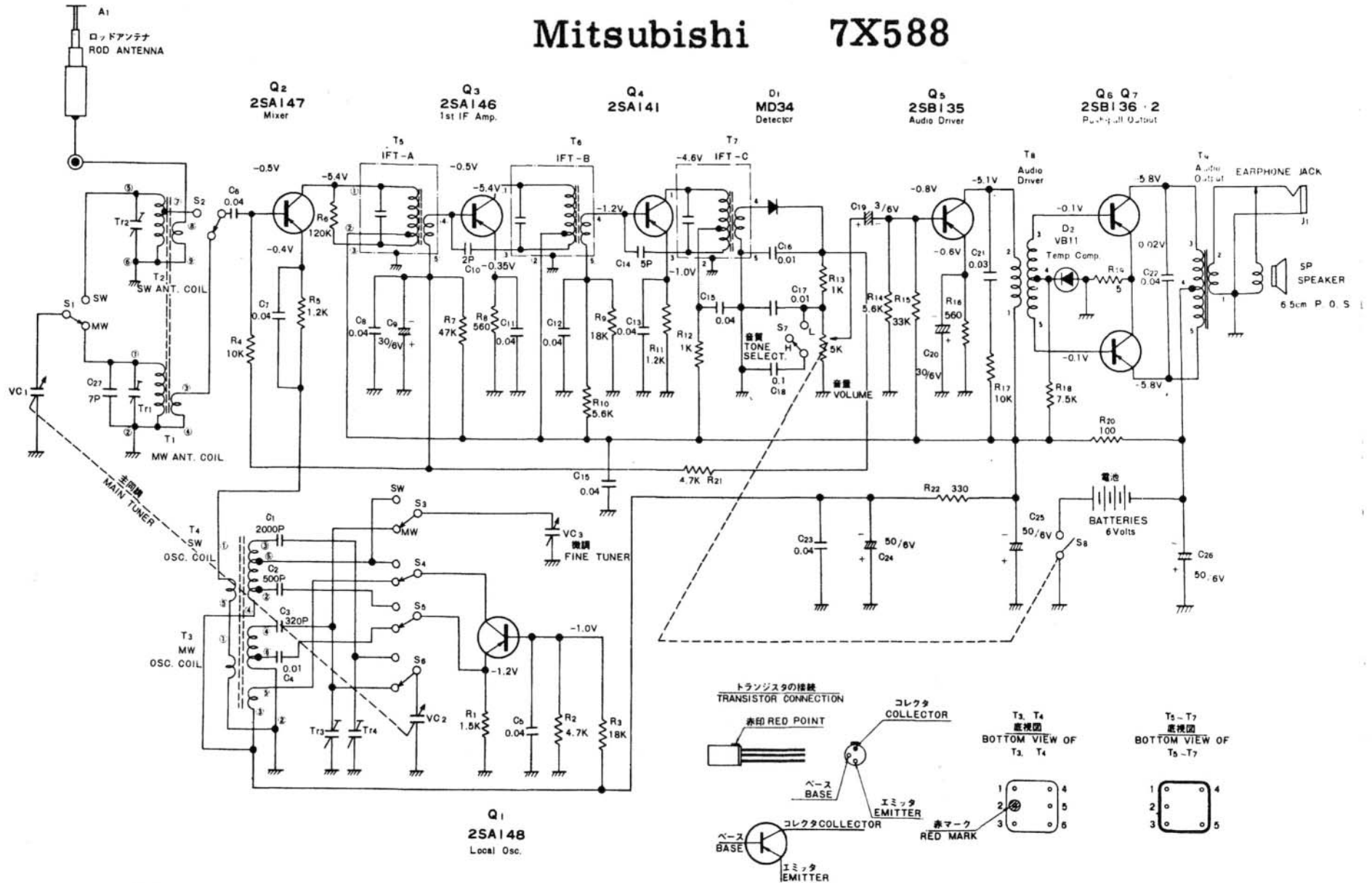
スピーカー…6.5 cm 8Ω P. D.
寸法…16×9×3.9 cm, 750 g



三菱 7X-588



Mitsubishi 7X588



Note:

1. S₁~S₆ are band select switches, and now indicates Mw connection.
2. All resistors are ohms unless otherwise specified.
K=1000 ohms.
3. All capacitors are in microfarads unless otherwise specified.
P=10⁻⁶ microfarads.
4. Voltage measurements are made with a VTVM from the point indicated by battery (+) terminal.
5. With no signal and at minimum volume control, total battery drain should be approx. 7mA.