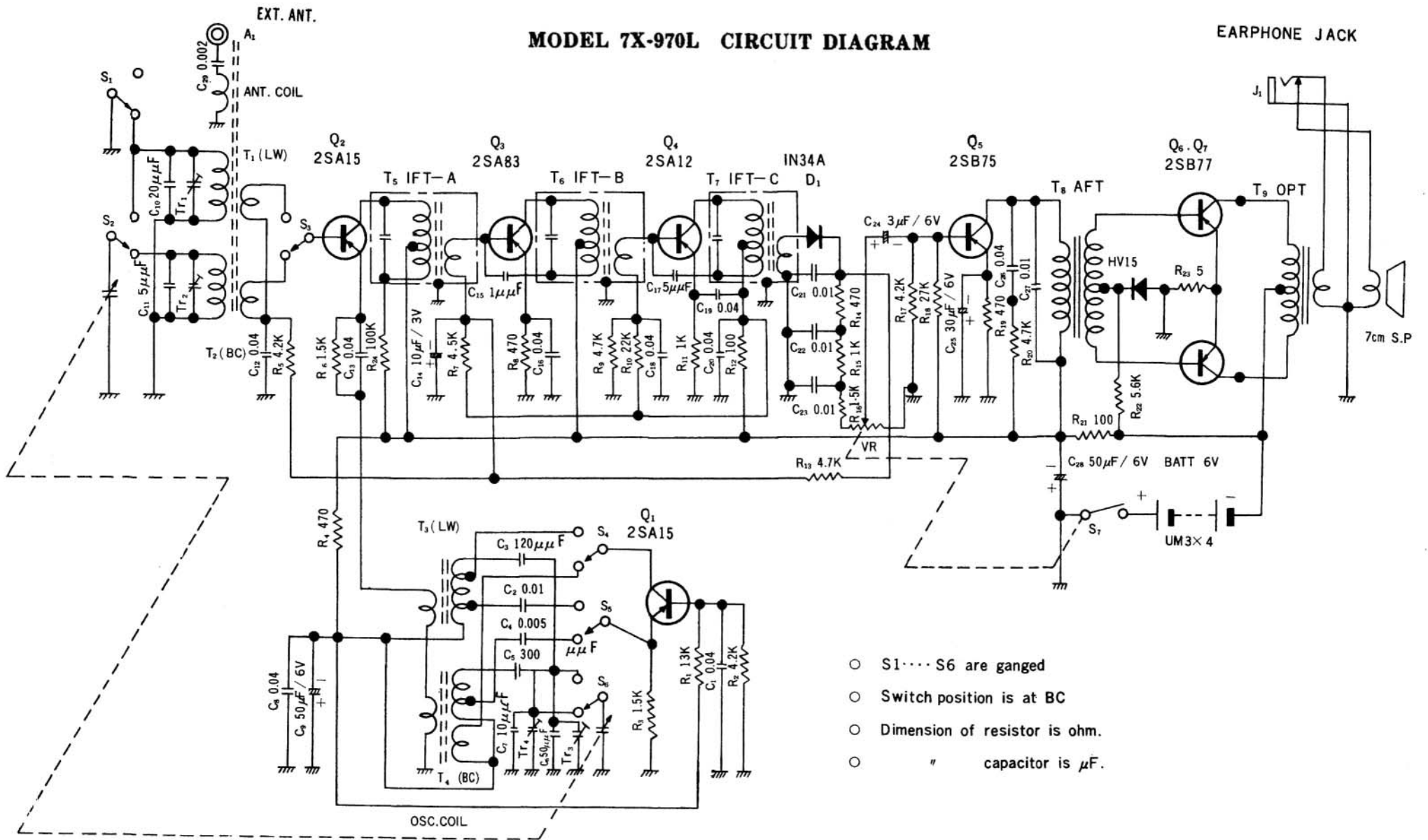


# MODEL 7X-970L CIRCUIT DIAGRAM



- S1.....S6 are ganged
- Switch position is at BC
- Dimension of resistor is ohm.
- " capacitor is  $\mu\text{F}$ .