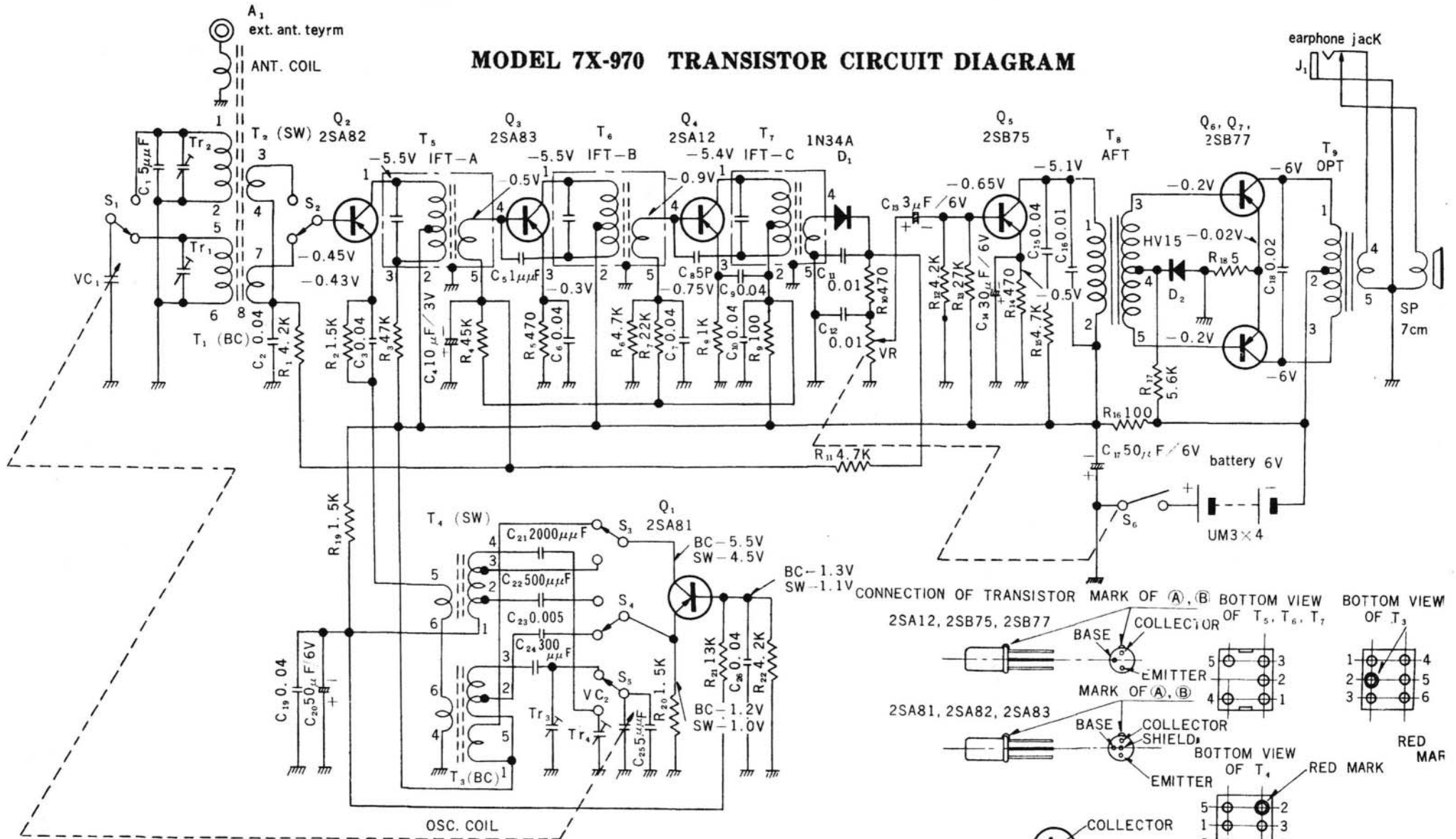


# MODEL 7X-970 TRANSISTOR CIRCUIT DIAGRAM



- NOTES
1.  $S_1, S_2, S_3, S_4$  and  $S_5$  are band select switches and now indicate BC connction.
  2. All capaciors are in microfarads, and resistors in ohms unless otherwise speccified.  $K=10^3$ ohms.
  3. Voltage measurements made with a V. T. V. M. from point indicated to battery(+)
  4. With no signal and at minimum volutrol, total batterY drain should be approx. 8mA (D.C.)

