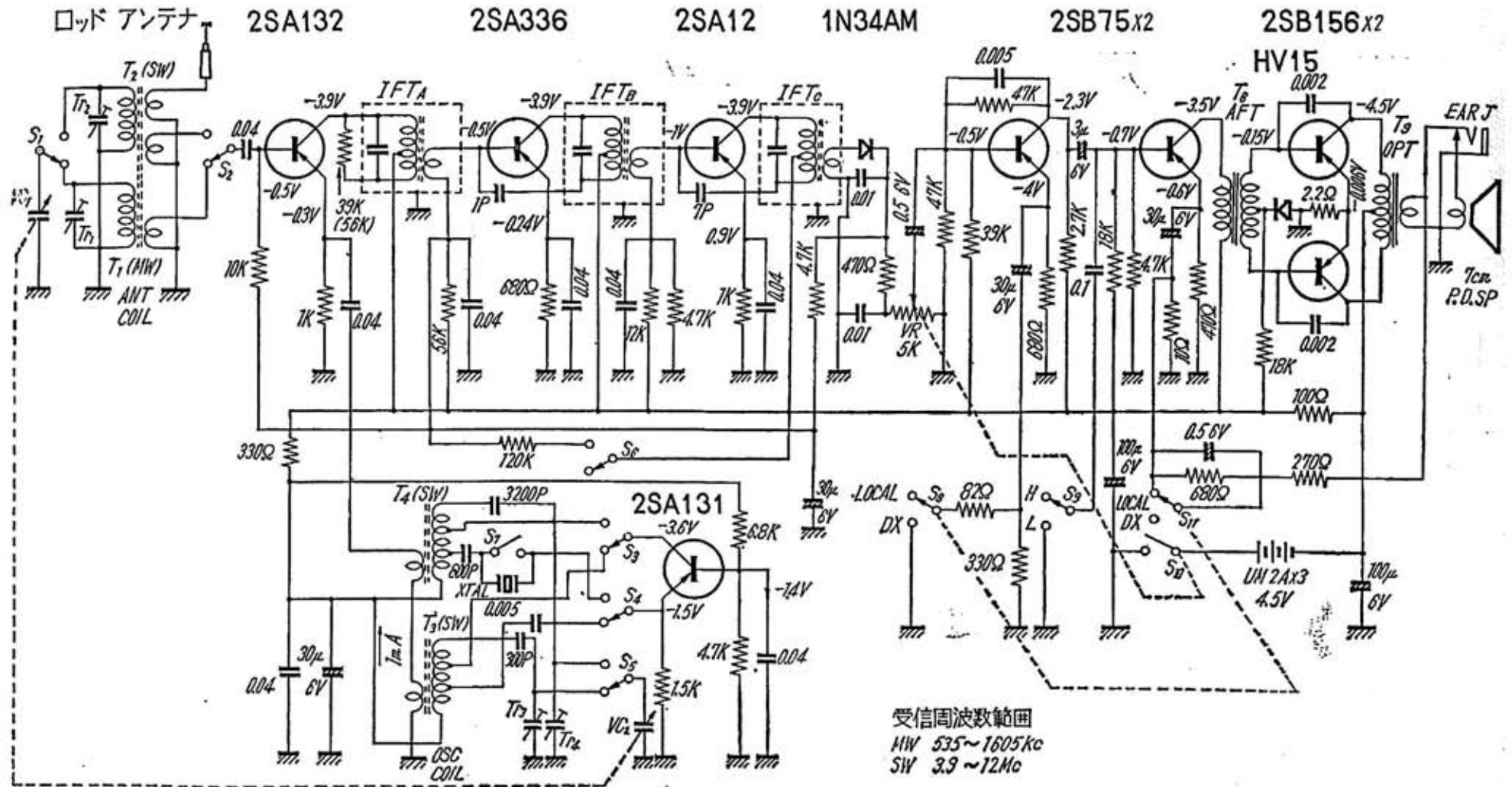
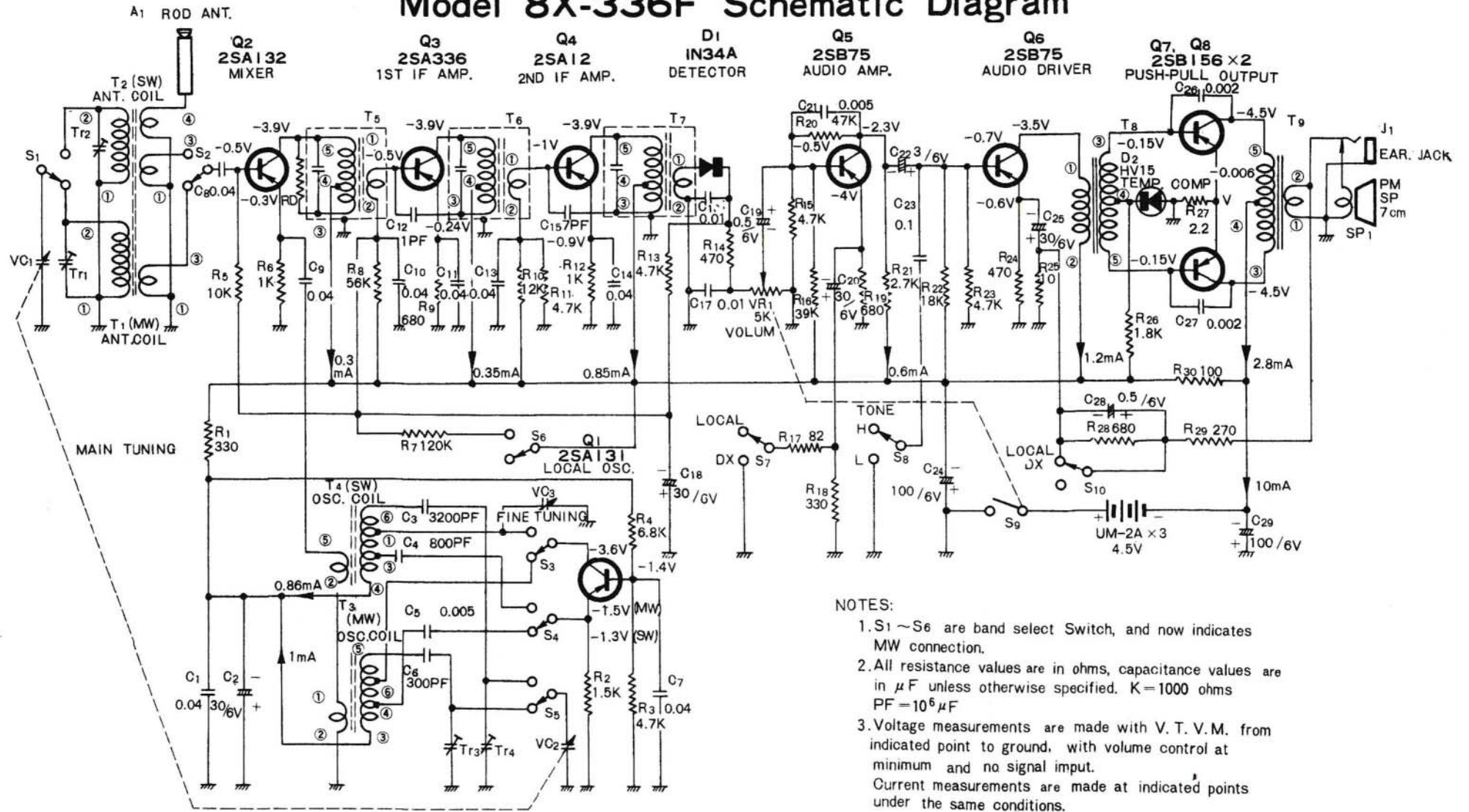


三菱 8X-336



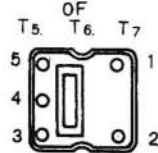
Model 8X-336F Schematic Diagram



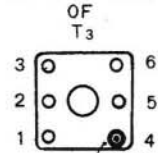
NOTES:

1. S1 ~ S6 are band select Switch, and now indicates MW connection.
2. All resistance values are in ohms, capacitance values are in μF unless otherwise specified. K=1000 ohms PF= $10^6 \mu F$
3. Voltage measurements are made with V. T. V. M. from indicated point to ground, with volume control at minimum and no signal input. Current measurements are made at indicated points under the same conditions.

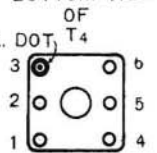
BOTTOM VIEW OF T5, T6, T7



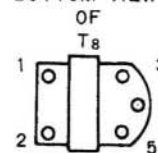
BOTTOM VIEW OF T3



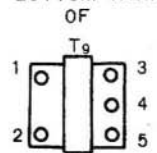
BOTTOM VIEW OF T4 (BLK. DOT)



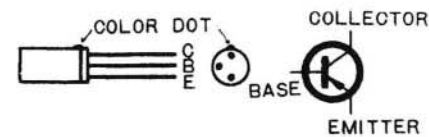
BOTTOM VIEW OF T8



BOTTOM VIEW OF T9



TRANSISTOR CONNECTION



BOTTOM VIEW OF T5, T6, T7 (BLK. DOT)

