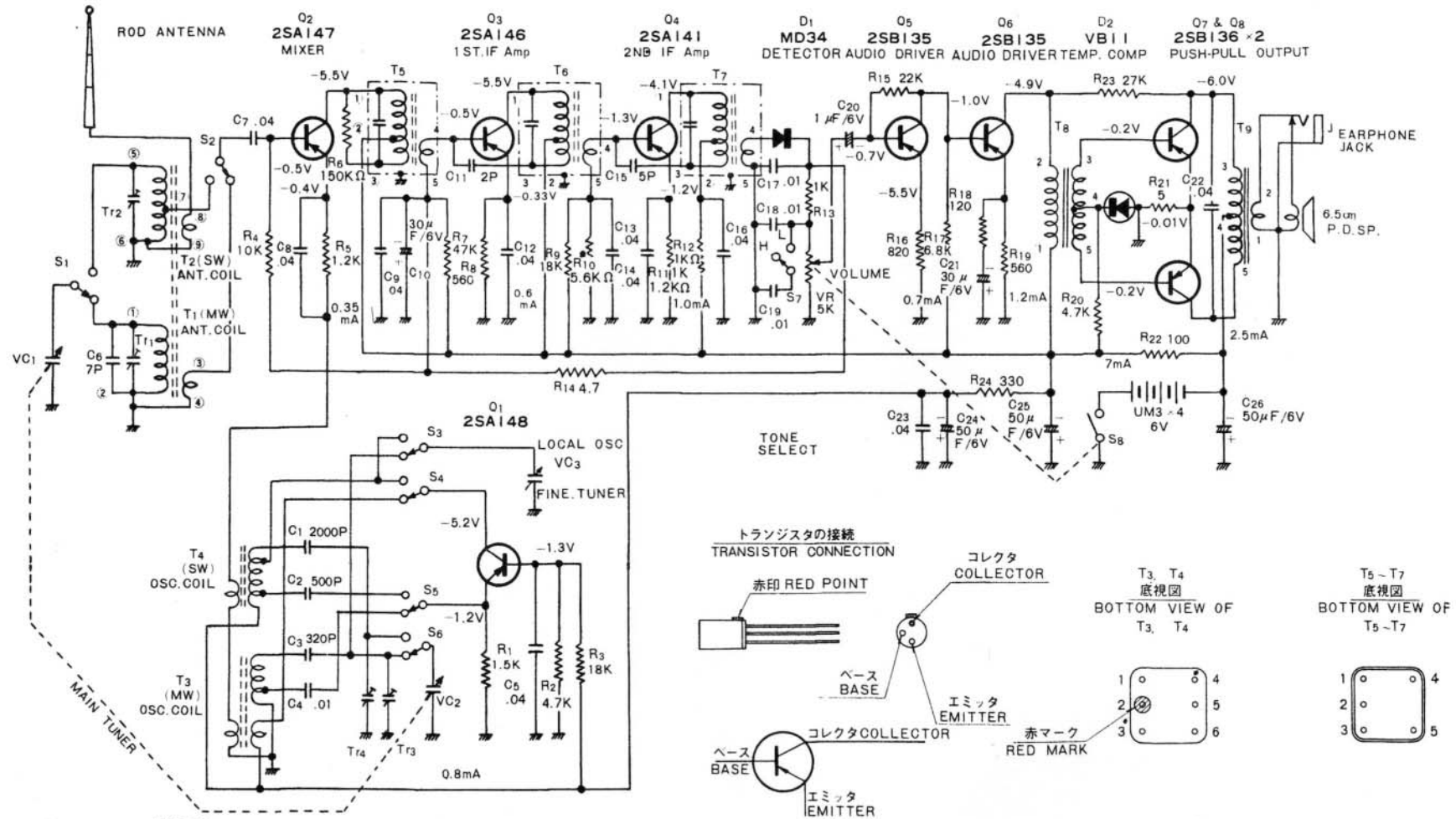


Mitsubishi 8X584



NOTE:

1. S₁ ~ S₆ are band select switches, and now indicates MW connection.
2. All resistors are ohms unless otherwise specified. K=1000ohms.
3. All capacitors are in microfarads unless otherwise specified. P=10⁻⁶microfarads.
4. Voltage measurements are made with a VTVM from point indicated to battery (+) terminal.
5. With no signal and at minimum volume control, total battery drain should be approx. 8 mA.