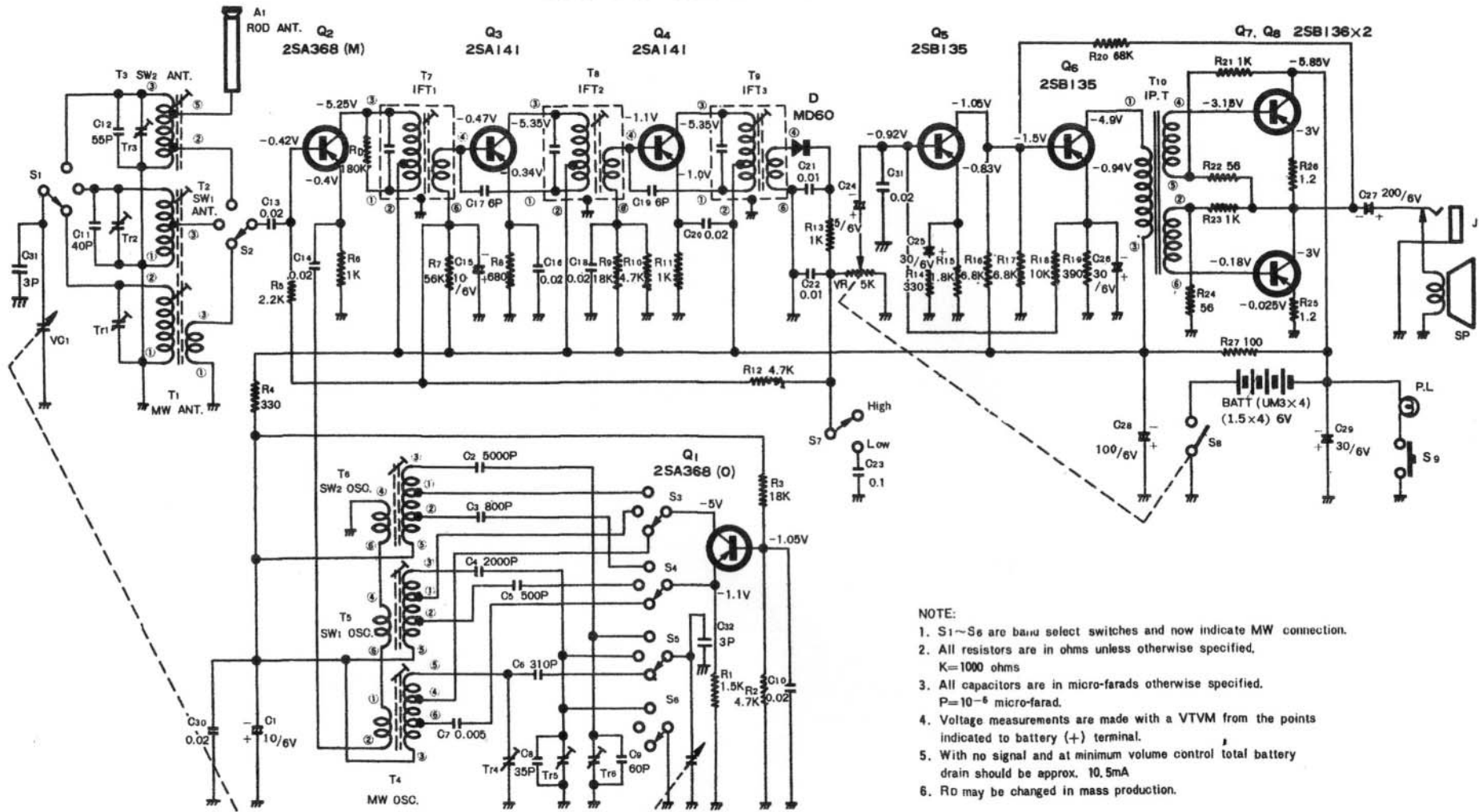
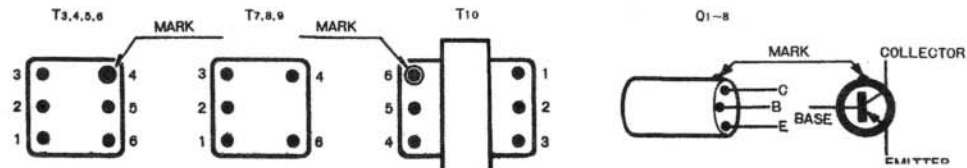


MITSUBISHI 8X-702



TRANSISTOR CONNECTION



- NOTE:
1. S1~S6 are band select switches and now indicate MW connection.
 2. All resistors are in ohms unless otherwise specified, K=1000 ohms
 3. All capacitors are in micro-farads otherwise specified, P=10⁻⁶ micro-farad.
 4. Voltage measurements are made with a VTVM from the points indicated to battery (+) terminal.
 5. With no signal and at minimum volume control total battery drain should be approx. 10.5mA
 6. R0 may be changed in mass production.