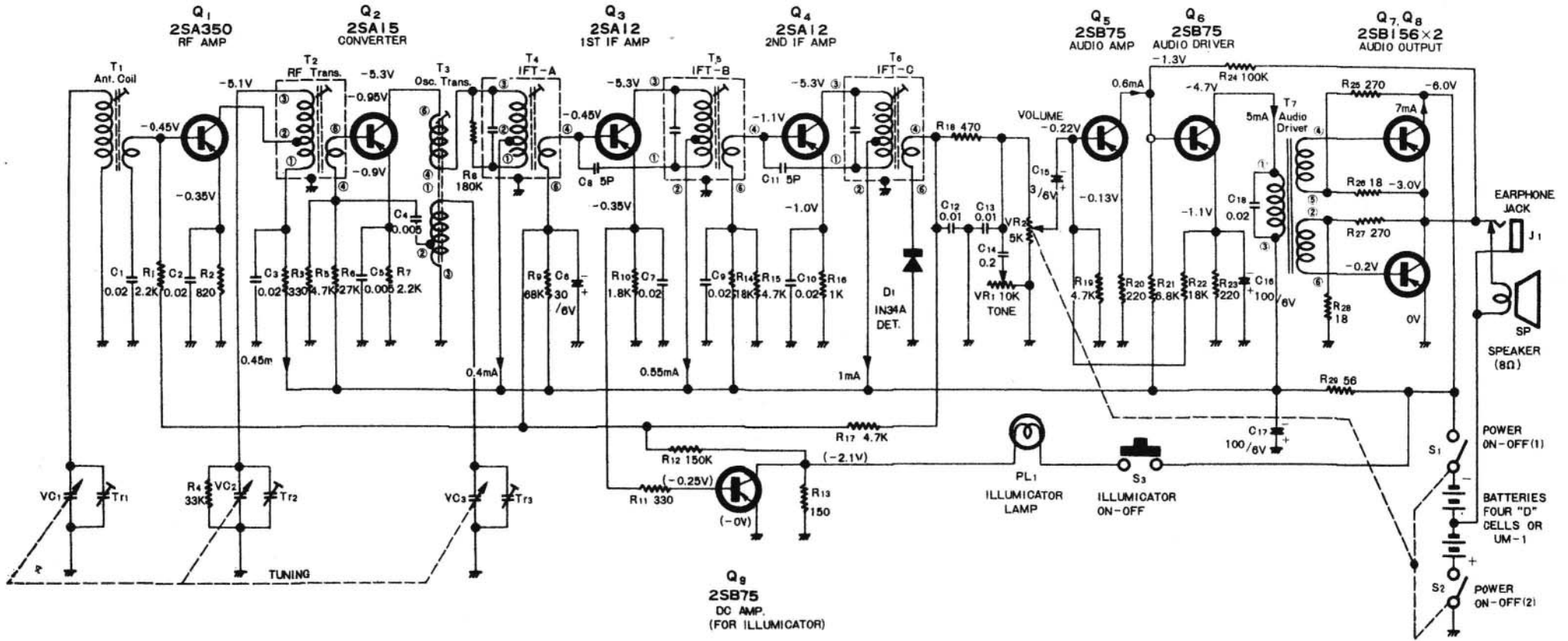
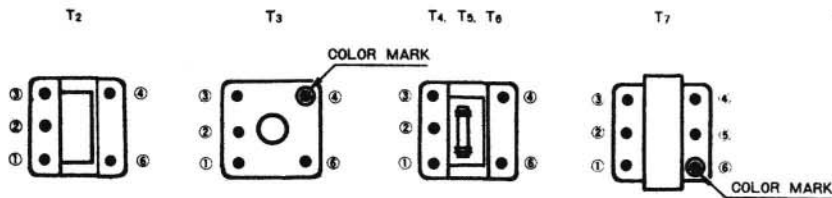


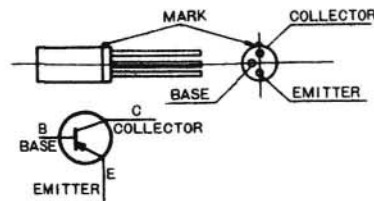
MITSUBISHI MODEL: 9X-628



BOTTOM VIEW OF TRANSFORMERS



TRANSISTOR CONNECTION



NOTES:

1. All resistance values are in ohms, K=1000Ω
2. All capacitance values are in μF, P=10⁻⁶ μF
3. Voltage measurements are made with a VTVM from the point indicated to earth or battery (+) terminal.
4. With no signal and at minimum volume control, total battery drain should be approx. 24mA. Other current measurements are also made at no signal.
5. R₄ and R₅ is altered in production according to the gain of transistors.