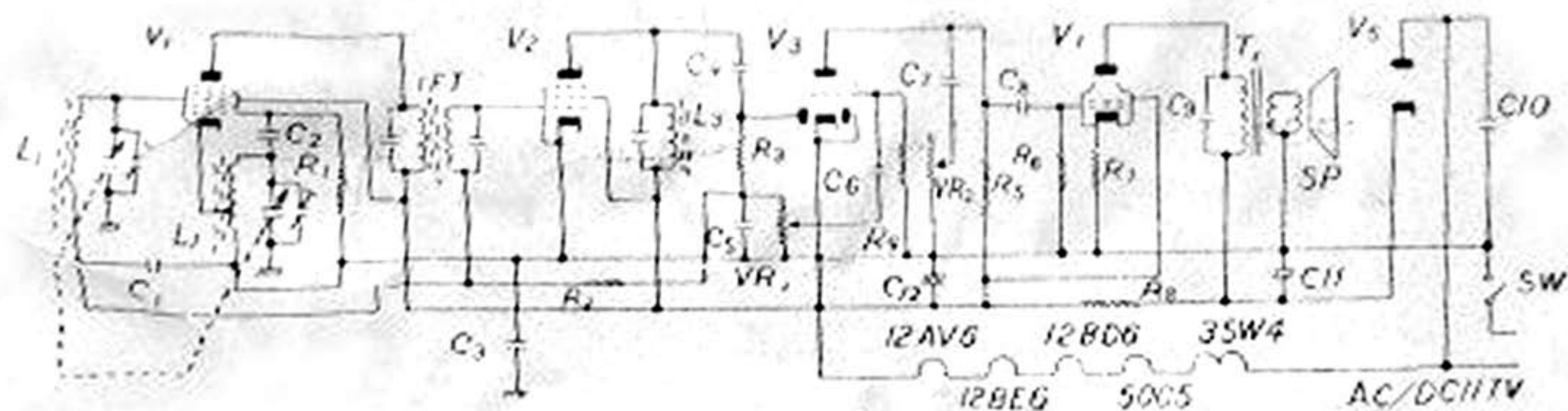


MONARCH MODEL RE-5-1 5-TUBE TABLE RADIO CIRCUIT DIAGRAM



R_1	20 K Ω 1/2 W	C_3	100 PF	500 WV	V_1	12BE6
R_2	1 M Ω "	C_4	0.05 μ F	400 WV	V_2	12BD6
R_3	100 K Ω "	C_5	100 PF	500 WV	V_3	12AV6
R_4	5 M Ω "	C_6	250 PF	500 WV	V_4	50C5
R_5	250 K Ω 1/2 W	C_7	0.002 μ F	500 WV	V_5	35W4
R_6	500 K Ω 1/2 W	C_8	0.005 μ F	400 WV	L_2	Antenna Coil
R_7	150 Ω 1/2 W	C_9	0.002 μ F	500 WV	L_3	OSC Coil
R_8	2 K Ω 2 W	C_{10}	0.002 μ F	500 WV	L_4	455 KC IF Coil
VR_1	500 K Ω	C_{11}	0.05 μ F	400 WV	IFT	455 KC
VR_2	500 K Ω	C_{12}	40 PF	150 WV	T_1	25 K Ω -10 Ω
C_1	2.04 μ F 50 WV		20 \times 20 PF	150 WV	SP	3 1/2 K Ω 10 Ω