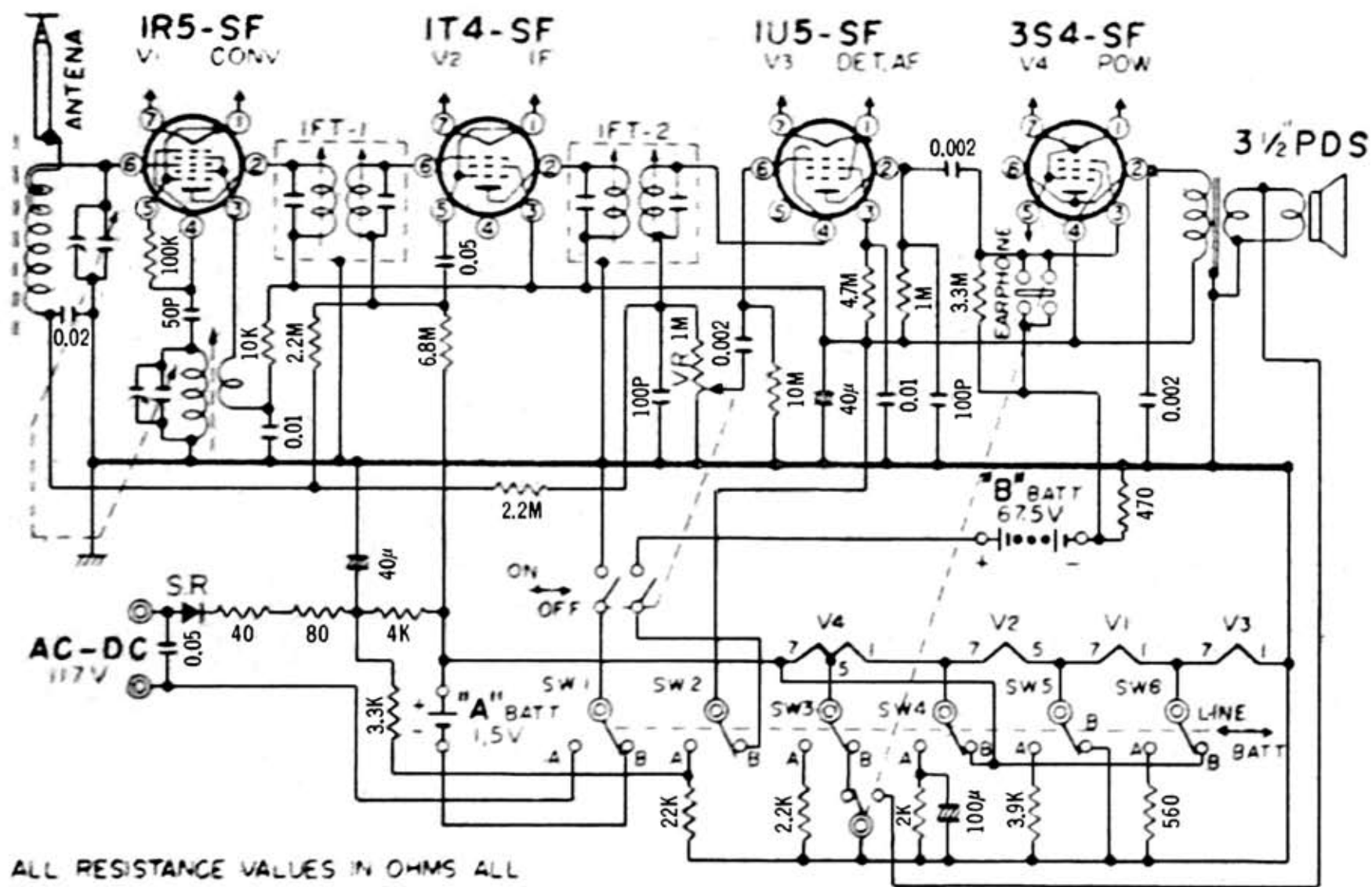


NANAOLA MODEL 4P-151



ALL RESISTANCE VALUES IN OHMS ALL CAPACITANCE VALUES IN MICROFARADS

K = 1000
M = 1000000
P = $\frac{1}{1000000}$

NOTE 1. 1.5V BATTERY "D" CELL OR TYPE UM-1
2. 67.5V BATTERY RCA VS 216 OR EVEREADY 477 OR TYPE BL M-145

Edit by JA3GZP