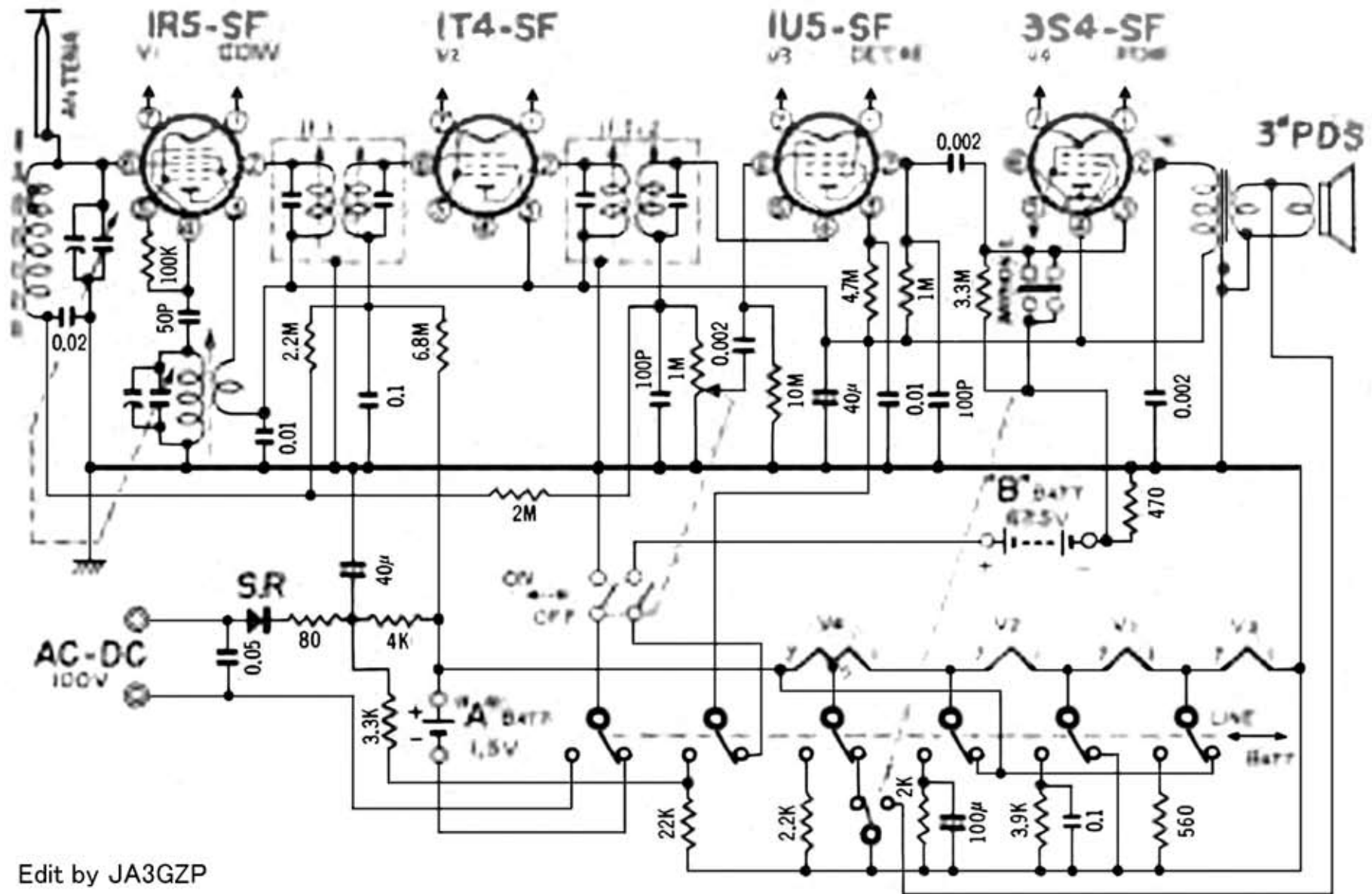




MODEL 4P-50



Edit by JA3GZP