

# EF-740

V<sub>1a</sub>  
FM RF Amp.  
½ 17EW8

V<sub>1b</sub>  
FM Conv.  
½ 17EW8

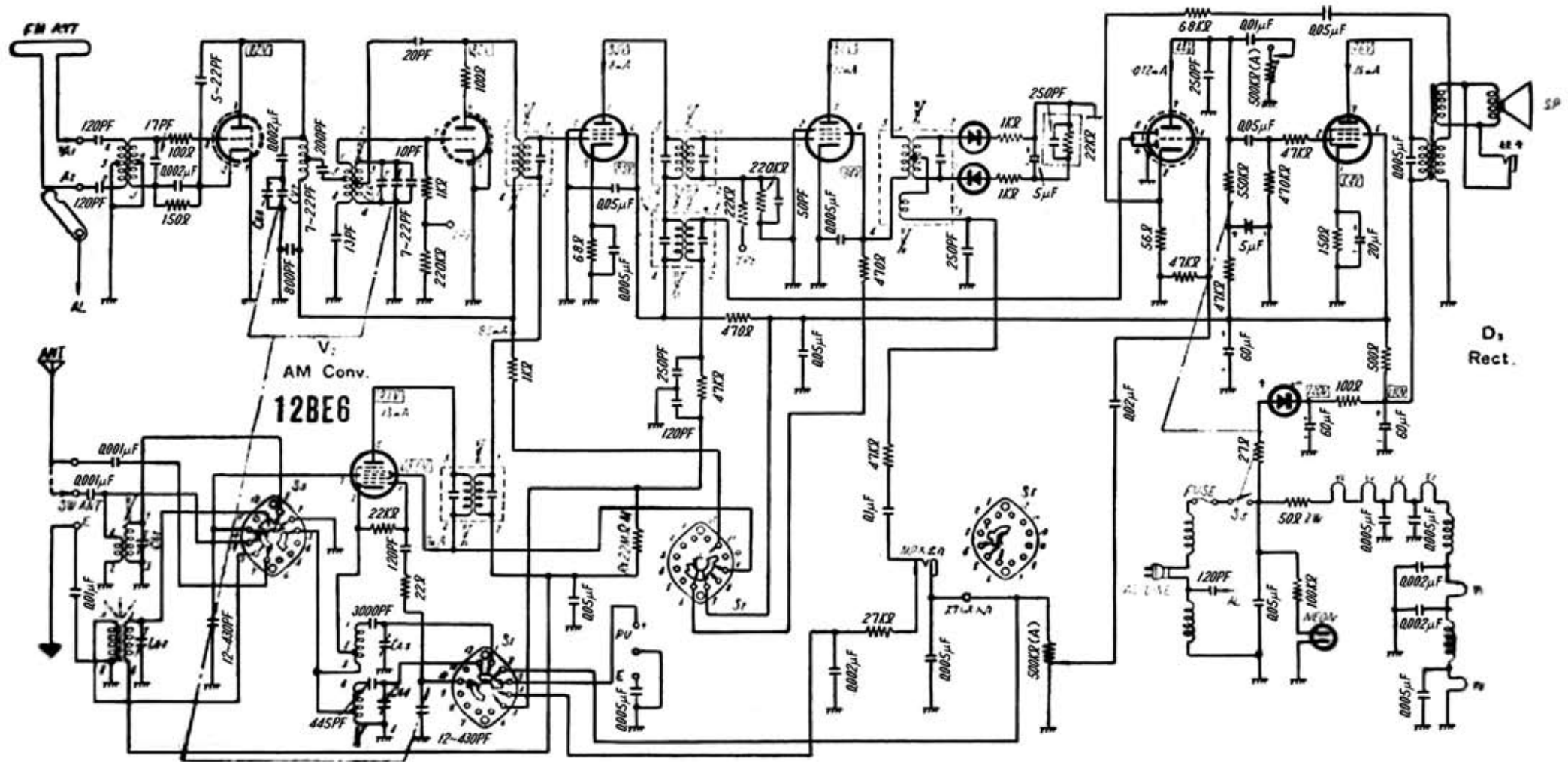
V<sub>1</sub>  
FM AM IF Amp.  
12BA6

V<sub>1</sub>  
FM IF Amp.  
12BA6

D<sub>1</sub>, D<sub>2</sub>  
FM Det.  
0A79 × 2

V<sub>1</sub>  
2nd Det & AF Amp.  
12AV6

V<sub>1</sub>  
Out put  
30A5



EF-740 (11622-C0)