

# NATIONAL MODEL AB-100

TR-1  
MC 101  
CONV

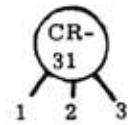
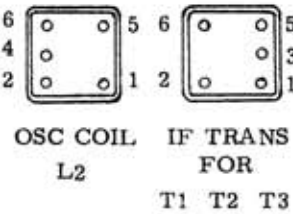
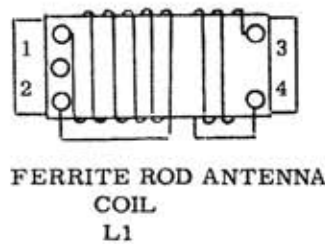
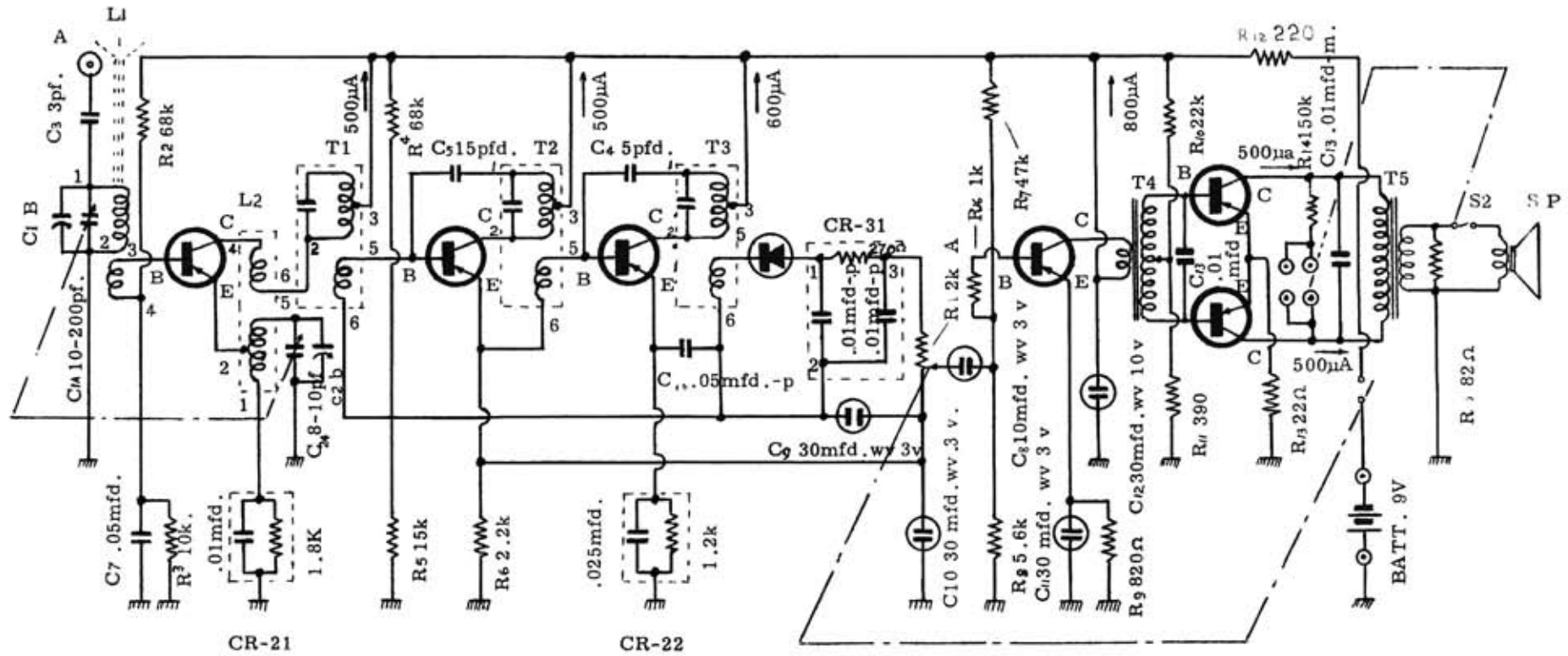
TR-2  
OC 45  
1ST IF AMP

TR-3  
OC 45  
2ND IF AMP

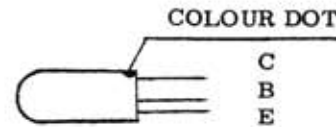
D-1  
OA 70  
DET. & A.G.C.

TR-4  
OC 71  
AF AMP

TR-5 & TR-6  
OC 71 x 2  
POWER OUTPUT



COUPLED  
CAPACITORS & RESISTOR



TRANSISTOR

(BOTTOM VIEW)