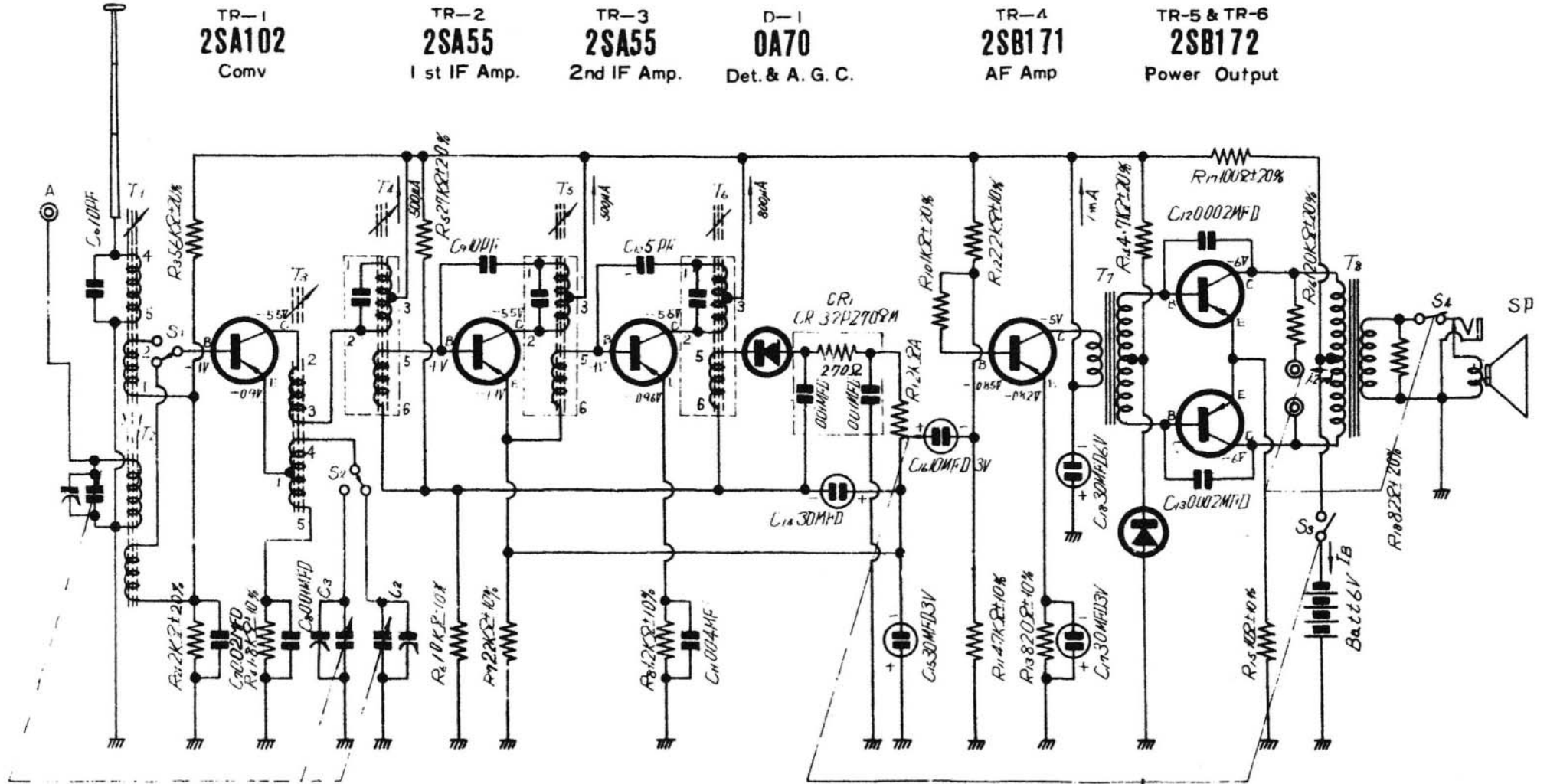


NATIONAL RADIO MODEL AT - 235



D-2
MA23
A. O. C.