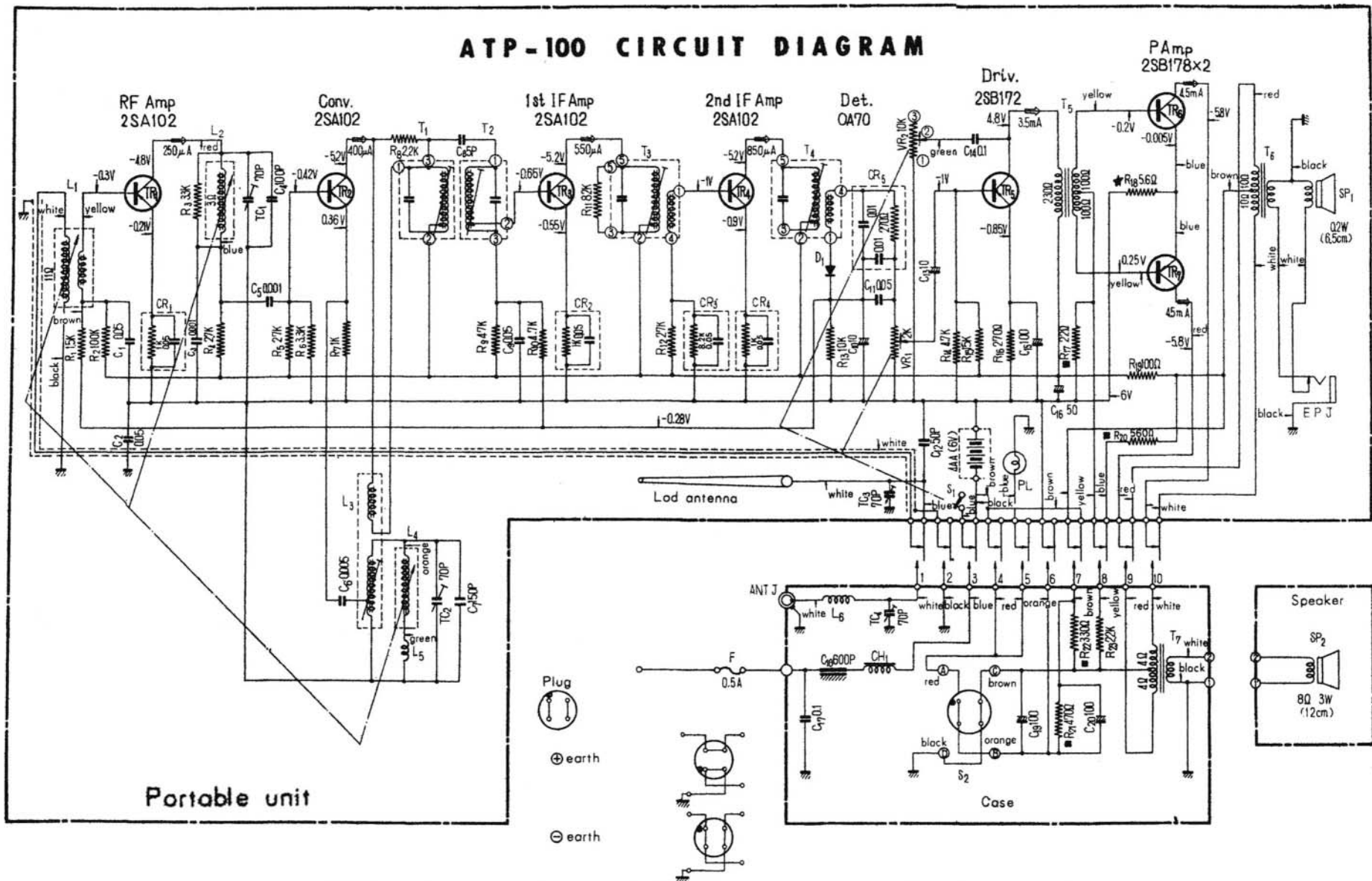


# ATP-100 CIRCUIT DIAGRAM



- NOTES: 1. Resistors are solid resistors of 1/6W, unless they are specified otherwise.  
 ■: 1/4W  
 ★: 1/2W
2. Mark ↑ in the symbol of VR points to the direction the contact points move as the sound volume increases.

3. Given voltages are standard voltages measured with a tester which has 20KΩ/V internal resistance. (Connect the chassis to (+) lead of a tester.)
4. Given voltages and currents are measured when there is no signal.
5. \*M: Chemical condenser