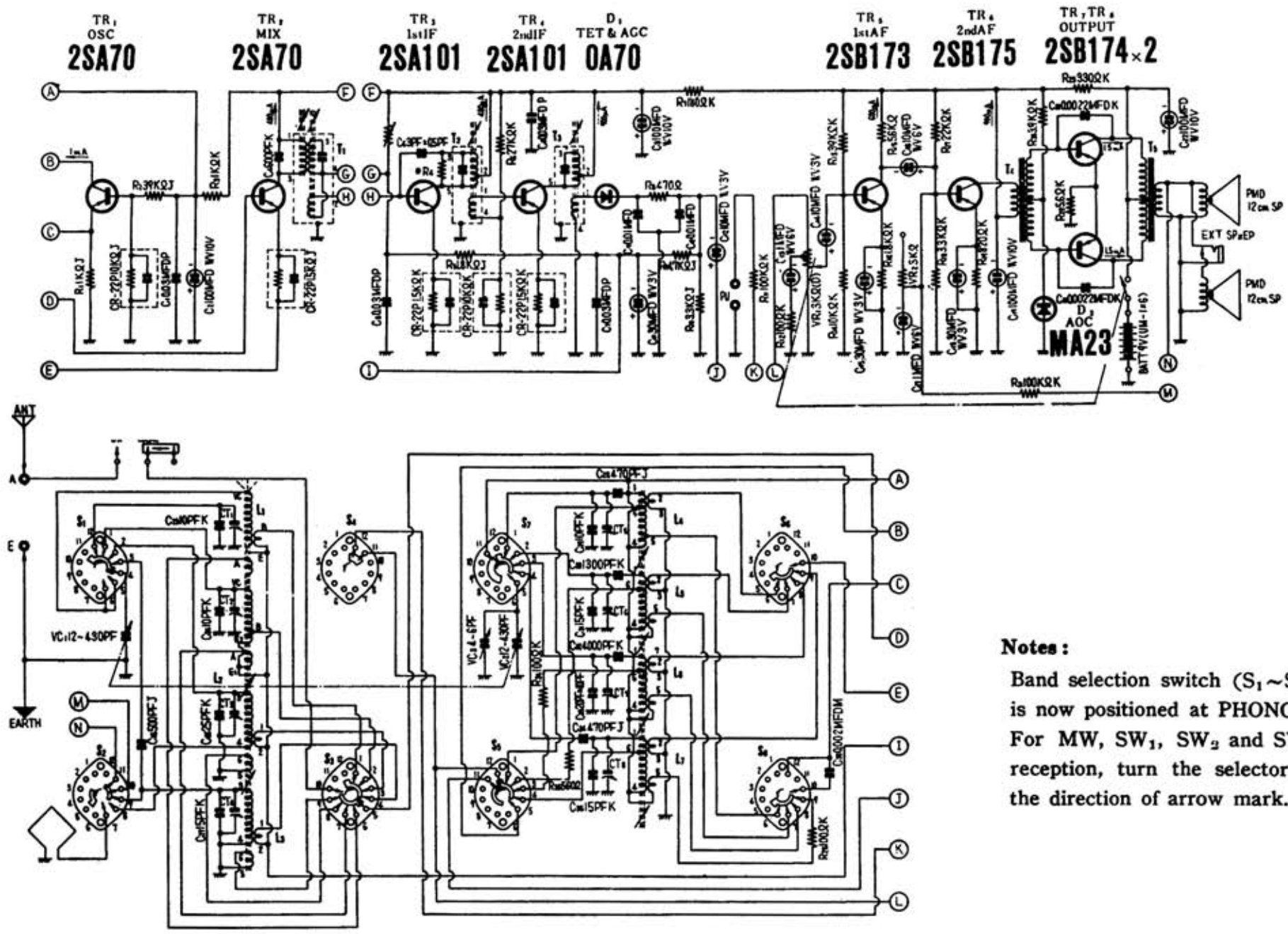


NATIONAL RADIO MODEL BT-452



Notes:
 Band selection switch (S₁ ~ S₅) is now positioned at PHONO.
 For MW, SW₁, SW₂ and SW₃ reception, turn the selector in the direction of arrow mark.