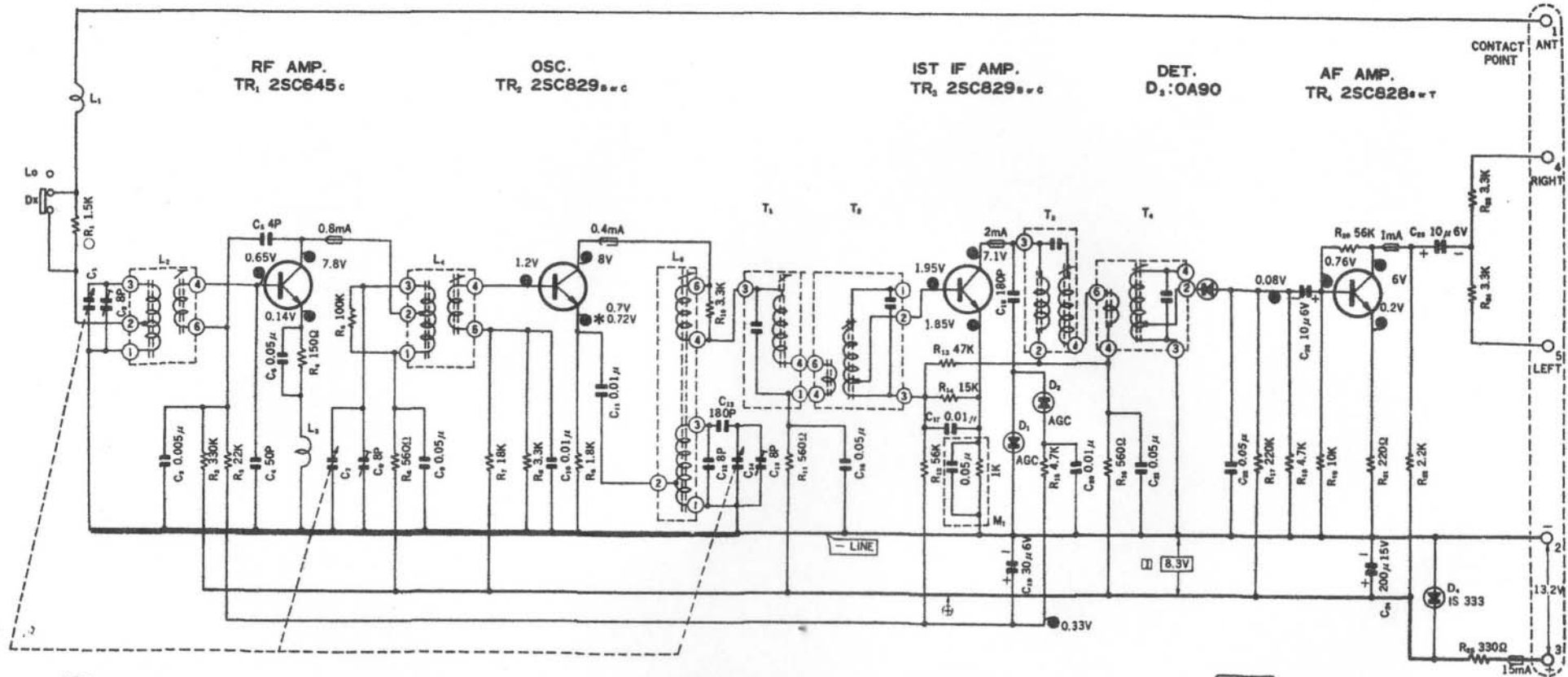


NATIONAL AM RADIO PACK

MODEL CJ-901N



NOTES

1. Voltage should be measured with a 20,000 ohms-per-volt VOM.
2. Dial pointer is set at the highest receiving frequency point.
3. Voltage is measured when there is no signal with a power supply voltage of 13.2 volts.
4. Measured values are from terminal to -line.
5. Voltages of *TR₁ are the measured when the dial pointer is set at the lowest receiving frequency.

6. Resistance values of coils are for DC current.
7. The wattage rating of all resistors is $\frac{1}{2}$ watt.

