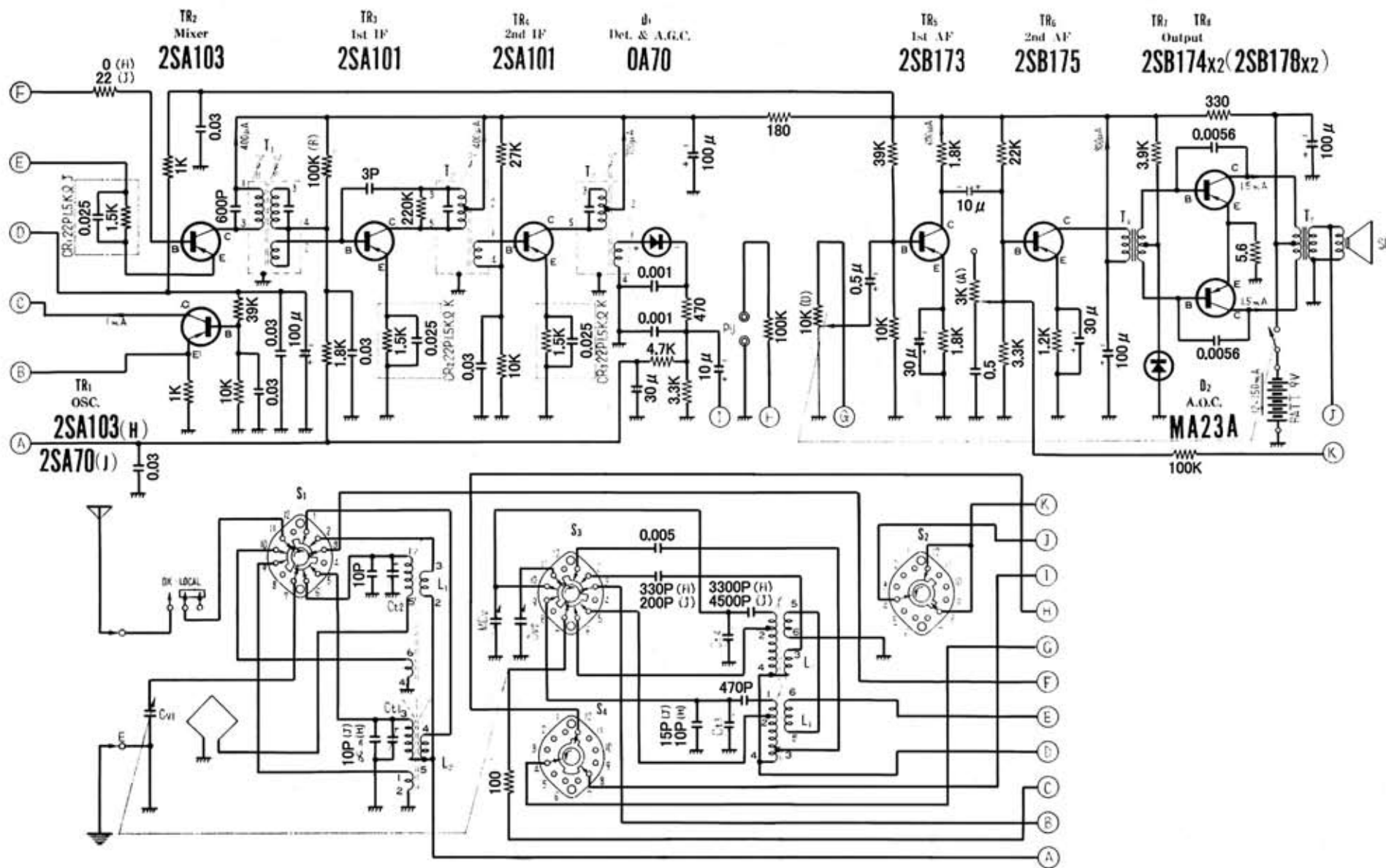
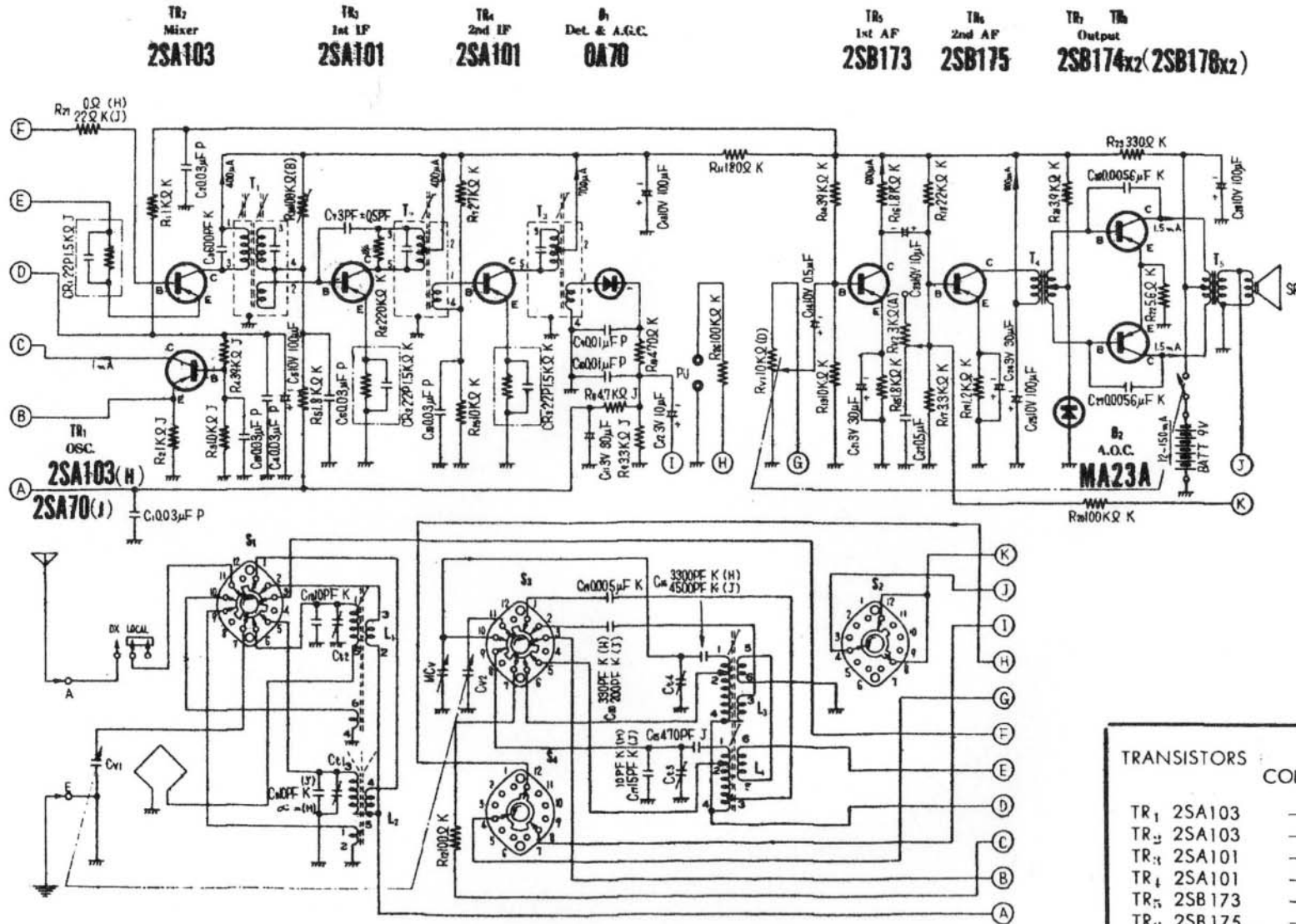


8石2バンドホームラジオ GT-273



NATIONAL MODEL GT273 H or J



Notes:

1. Band Selection switch ($S_1 \sim S_4$) is now at the position of PHONO.
For MW Band SW Band reception, please turn the selector in the direction of arrow marks.
2. R_6 $150K\Omega \sim \infty\Omega$
3. Tolerance marks are J = $\pm 5\%$, K = $\pm 10\%$, M = $\pm 20\%$ & P = $\pm 100\%$
0%

TRANSISTORS	VOLTAGES (V)		
	COLLECTOR	BASE	EMITTER
TR ₁ 2SA103	-5.7V	-0.75V	-1.10V
TR ₂ 2SA103	-6V	-0.50V	-0.60V
TR ₃ 2SA101	-6V	-0.65V	-0.65V
TR ₄ 2SA101	-6V	-1.10V	-1.10V
TR ₅ 2SB173	-5.2V	-0.95V	-1.15V
TR ₆ 2SB175	-6V	-0.75V	-0.7V
TR ₇ 2SB178	-9V	-0.10V	0V
TR ₈ 2SB178	-9V	-0.10V	0V