

# NATIONAL MODEL GT373

TR-1  
Local Osc.  
2SA70

TR-2  
Mix.  
2SA70

TR-3  
1st IF Amp  
2SA101

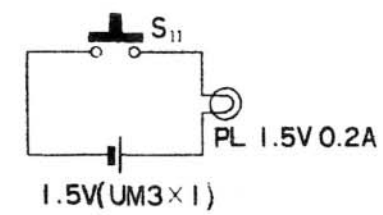
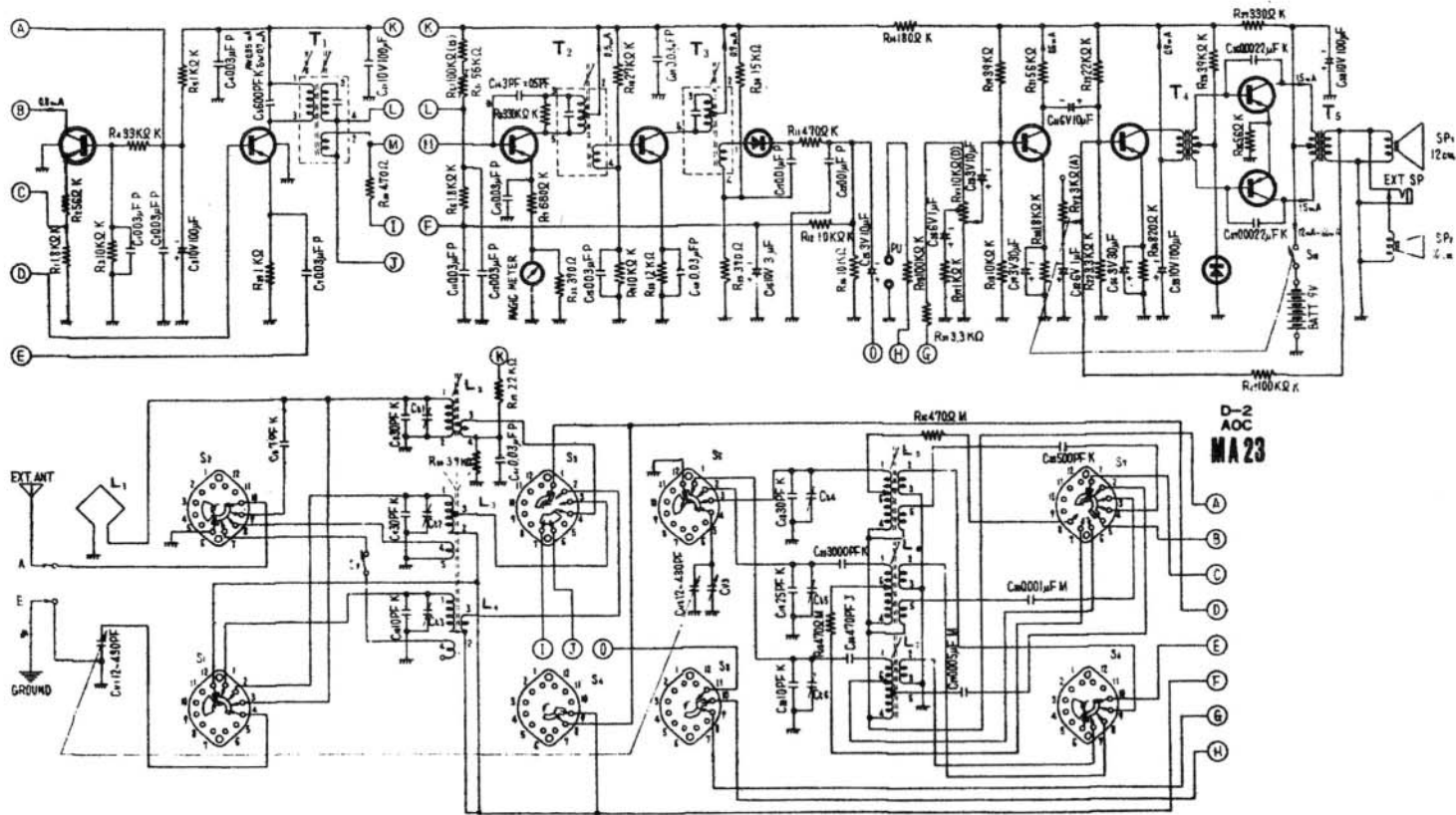
TR-4  
2nd IF Amp  
2SA101

D-1  
Det & AGC  
0A70

TR-5  
1st AF Amp  
2SB173

TR-6  
2nd AF Amp  
2SB175

TR-7 TR-8  
Out put  
2SB178×2



- Notes:**
1. R<sub>7</sub> resistor marked with ✱ uses one of the following resistor values because of characteristics of transistors: 300KΩ, 220KΩ or ∞
  2. S<sub>1</sub> ~ S<sub>8</sub> are PHONO and Band Selection Switches. These are now at PHONO position in the circuit diagram.
  3. S<sub>9</sub> is LOCAL DX Selection Switch on MW band, and is now at DX position.
  4. S<sub>10</sub> is Power Switch.
  5. RV<sub>2</sub> is now at the position of Low-Tone.
  6. The letter signs (J, K, M & P) in the circuit diagram show allowable deviations of resistors and capacitors as follows:

- J.....± 5%
- K .....± 10%
- M .....± 20%
- P.....+100%
- .....- 0%

TRANSISTORS	VOLTAGES (V)		
	COLLECTOR	BASE	EMITTER
TR <sub>1</sub> 2SA 70	-5.7V	-1.01V	-1.1V
TR <sub>2</sub> 2SA 70	-6.45V	-0.6V	-0.54V
TR <sub>3</sub> 2SA101	-6.45V	-0.7V	-0.65V
TR <sub>4</sub> 2SA101	-6.6V	-1.15V	-1.2V

TRANSISTORS	VOLTAGES (V)		
	COLLECTOR	BASE	EMITTER
TR <sub>5</sub> 2SB173	-3.2V	-1V	-1.24V
TR <sub>6</sub> 2SB175	-6.4V	-0.8V	-0.76V
TR <sub>7</sub> 2SB178	-9V	-0.13V	-0V
TR <sub>8</sub> 2SB178	-9V	-0.13V	-0V