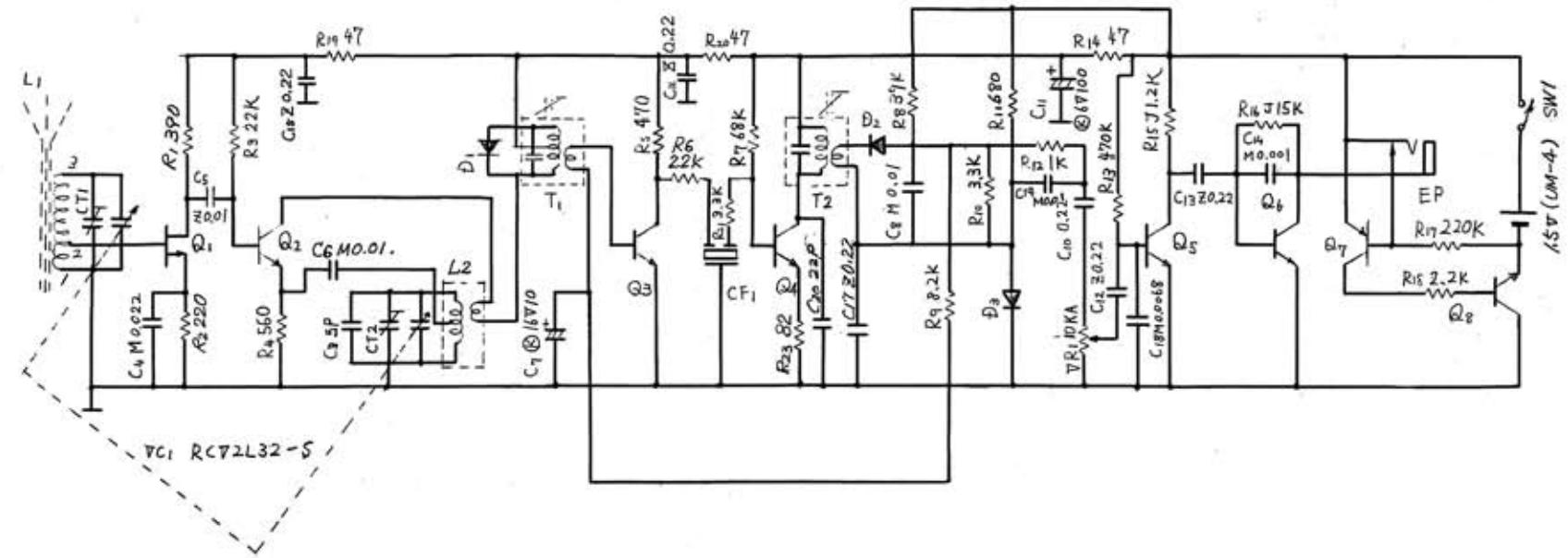


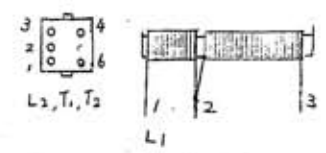
Q₁ RF AMP 2SK160K5
 Q₂ CONV 2SC2295B
 D₁ D.AGC OA90
 Q₃ 1st IFAMP 2SC1623L6A
 Q₄ 2nd IFAMP 2SC2295C
 D₂ DET OA90
 D₃ IFAOC MA27B2
 Q₅ AFAMP 2SD601S
 Q₆ POWERAMP 2SD601S
 Q₇ DC AMP 2SE709S
 Q₈ DC AMP 2SD596DV3



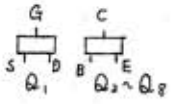
C	4	5	15	6	3	7	16	17	8	19	11	10	12	18	13	14								
R	1	2	3	4	19		5	6	20	21	9	23	8	9	10	11	12	13	14	15	16		17	18

- L₁ : RLF2Y19-0
- L₂ : RLO2A3-T
- T₁ : RL12A8-T
- T₂ : RL12A9-T
- CT₁ : RCTCT23210
- CT₂ : RCTCT23110
- CF₁ : RVFCFM2455B

BOTTOM VIEW



TOP VIEW



NOTES

- S : POWER SWITCH (NOW OFF)
- RESISTORS
- TOLERANCE : NO MARK. RESISTORS ±10% UNLESS OTHERWISE INDICATED
M: ±20% Z: +50% -20% J: ±5%
- UNIT Ω (K=10³Ω)
- CAPACITORS
 - (NO MARK : CHIP (50.22μF)
 - (ALUMINUM ELECTROLYTIC (≥10μF)
 - UNIT μF (P=μMF)

					Model	R-003-(N)
Designed	Drawn	Traced	Checked	Approved	Parts No.	SCHEMATIC DIAGRAM
M. Jockhanna			K. Kanna			
10.01.2018						