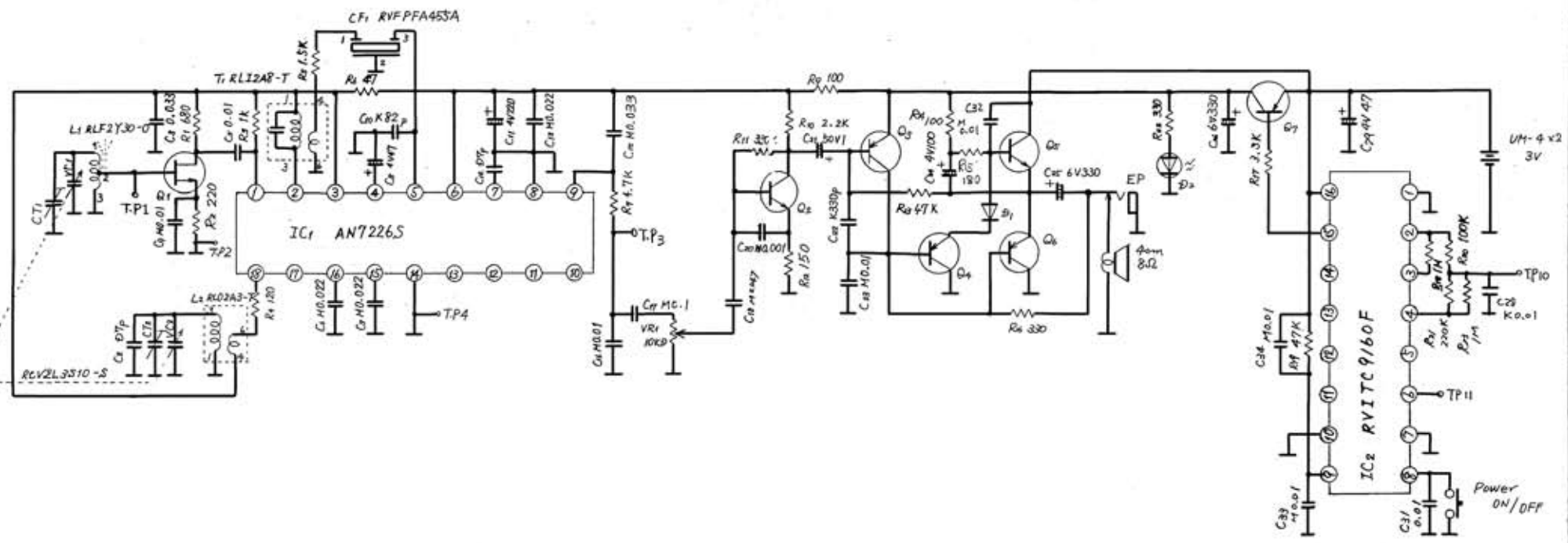


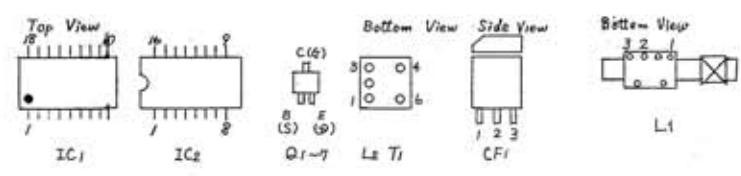
Sym	Date	Revision	A	B	C	D	E	F	Changed From	Signed	Checked	Approved



C	2	3	9	4	5	6	7	8	10	11	12	13	5	16	17	18	20	21	22	23	24	25	26	34	33	29	31	28	
R	1	2	3	4	5	6	7						7			11	10	12	9	13	14	15	16	22	17	19	18	20	21

Q1	RF AMP	2SK160K5
Q2	PRE AMP	2SC1623L5A
Q3	DRIVER	2SA812M4
Q4	"	2SA812M5
Q5	POWER AMP	2SD596DV3
Q6	"	2SB6248V3
Q7	SWITCHING	2SA812M5
D1	AOC	MA27B2
D2	POWER IND	RVPR24-4D
IC1	IF&DET	AN7226S
IC2	TIMER	RVITC9160F

CAPACITOR VALUE: F ( $\mu=10^{-6}$  p= $10^{-12}$ )  
 RESISTOR VALUE:  $\Omega$  (K= $10^3$  M= $10^6$ )  
 TOLERANCE:  $\Phi = \pm 0.5\text{pF}$  K= $\pm 10\%$  M= $\pm 20\%$



Sym	Item or Code No.	Material & Size	et	Process
① ② ③ ④ ⑤ ⑥ ⑦ ⑧				Model R-020-(N)
Scale	Designed	Drawn	Traced	Checked
	O. INOUE			T. AMANO
	Oct 21 '82			
				Approved
				T. Amano
				Parts No.
				Name