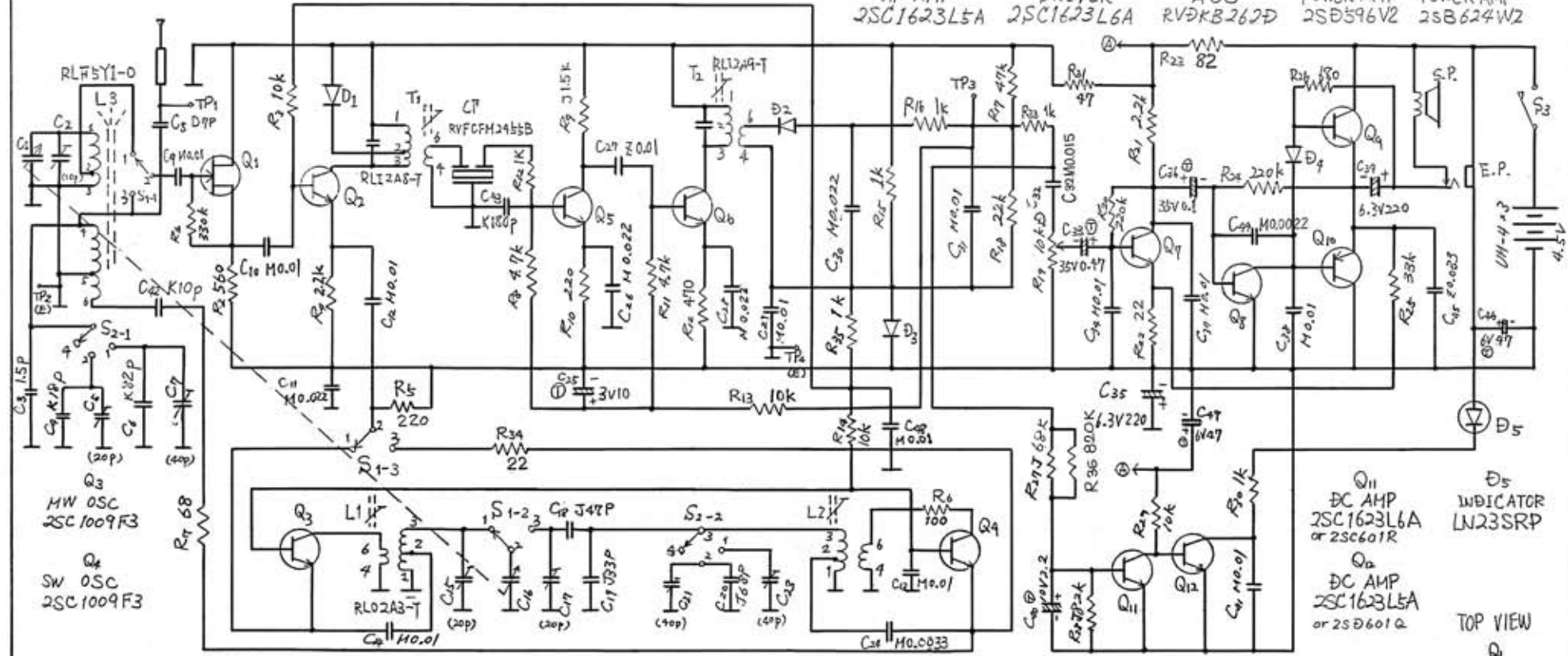


Q₁ RF AMP 2SK160K4
 Q₂ MIXER 2SC1009F4
 D₁ DAGC CA90
 Q₅, Q₆ IF AMP 2SC1009F3 or 2SC2295B
 D₂ DET & AGC OA90
 D₃ AOC RVDB262D

Sym	Date	Revision	Changed From	Signed	Checked	Approved
Δ	31 Aug '78	設計変更		S. Saigusa		

Q₇ AF AMP 2SC1623L5A
 Q₈ DRIVER 2SC1623L6A
 D₄ AOC RVDB262D
 Q₉ POWER AMP 2SD596V2
 Q₁₀ POWER AMP 2SB624W2



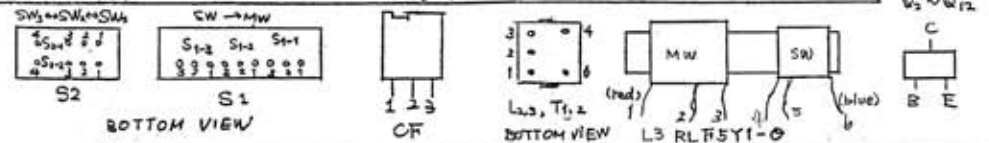
Q₃ MW OSC 2SC1009F3
 Q₄ SW OSC 2SC1009F3

C	1, 2, 3, 4, 5, 6, 7, 42, 8, 9,	10,	11	12	43	25, 26, 27	28	29	30	48	31	32	33	34	35	36, 37	44	48	39	45, 46		
R	1	2	3	4	5	32, 8	9, 10	11	12	13	35	15	16	17, 18	19	31	20	21, 22	22	24	26	25

S₁-1-2: MW-SW SWITCH; NOW "MW"
 S₂-1-2: SW₁-SW₂-SW₃ SWITCH; NOW "SW"
 S₃: POWER SWITCH; NOW "OFF"

RESISTORS: CHIP; TOLERANCE ±10% (J: ±5%); UNIT Ω (k-kΩ, M-MΩ)

CAPACITORS: ⊕ TANTALUM ELECTROLYTIC
 NO MARK ALUMINUM ELECTROLYTIC or CHIP
 TOLERANCE J ±5%, K ±10%, M ±20%, Z ±20%, D ±0.5PF
 UNIT μF (p=μμF)



BOTTOM VIEW

Sym	Item or Code No.	Material & Size	qt	Process
Ⓜ	Ⓜ	Ⓜ	Ⓜ	Ⓜ
Model	R-025-(N)			
Parts No.				
Name				

TOP VIEW

