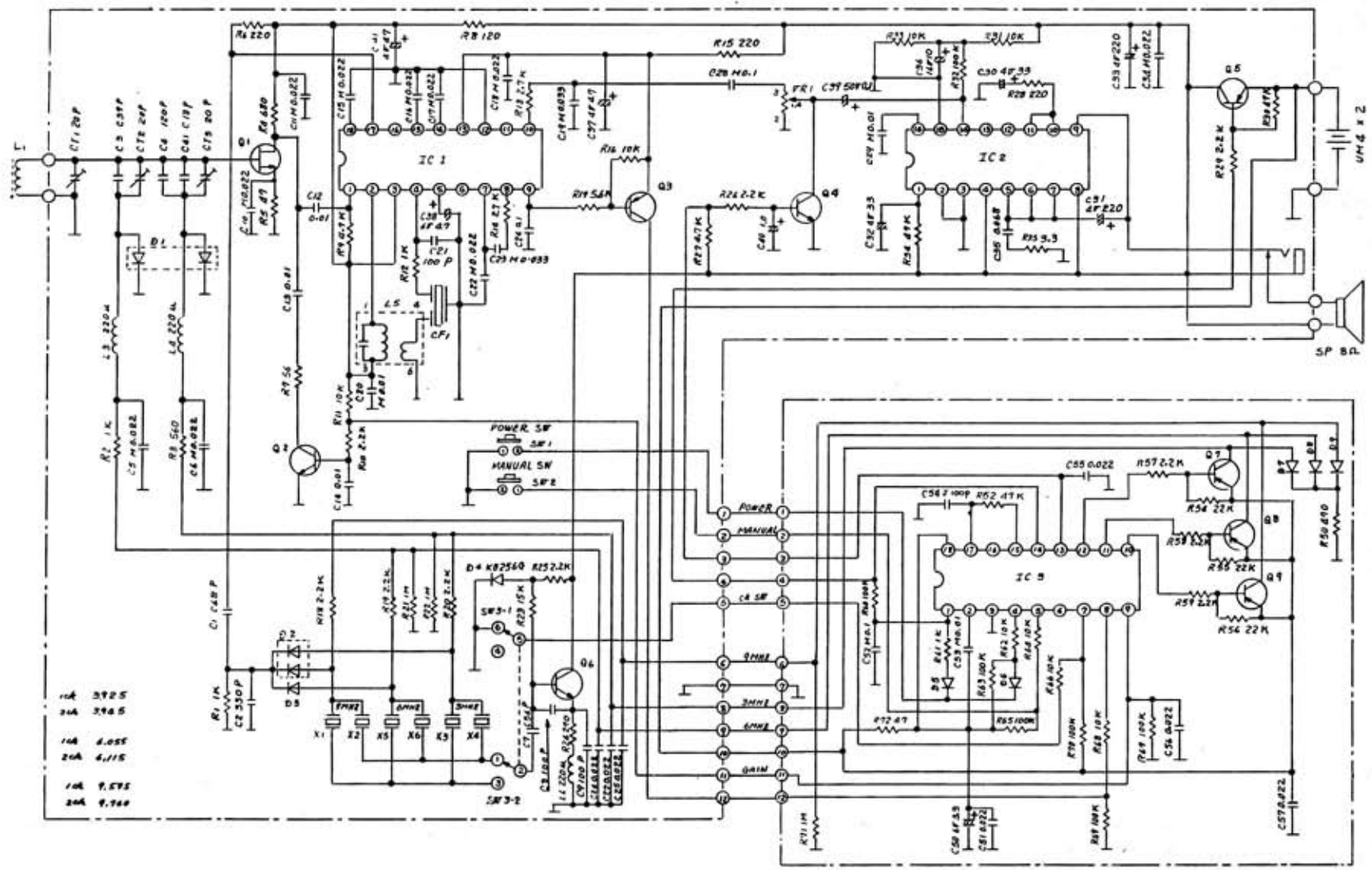
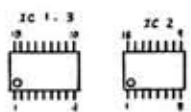


Rev	Date	Revised	A	B	C	D	E	F	Checked	Drawn	Approved

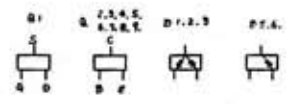
C	3	4	41	18	11	14	17	15	17	22	23	18	24	17	37	18	40	37	27	34	30	35	31	33	34
R	1	2	1	18	17	22	23	18	24	17	37	18	40	37	27	34	30	35	31	33	34	31	33	34	



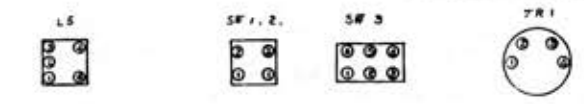
10A	372.5
20A	374.5
10A	4.055
20A	4.115
10A	9.475
20A	9.745



TOP VIEW



BOTTOM VIEW



IC1	AN7236B
IC2	TA7331F
IC3	BU3402F
Q1	2SK238K16
Q2	2SD1048X7
Q3	2SB709R
Q4	2SD601R
Q5	2SB815D7
Q6	2SC2404C
Q7	2SB709R
Q8	-
Q9	-
D1	BAW25M
D2	-
D3	-
D4	KFD4B206G
D5	MA704
D6	MA706
D7	LMC87AP
D8	-
D9	-
L1	RLE
L2	-
L3	-
L4	-
L5	RLE2A36
L6	-
SW1	-
SW2	-
SW3	-

Item or Code No.	Material & Size	Process
Model	R-036(J)	
Parts No.	SCHEMATIC DIAGRAM	
Base	Designed	Drawn
	Traced	Checked
	Approved	