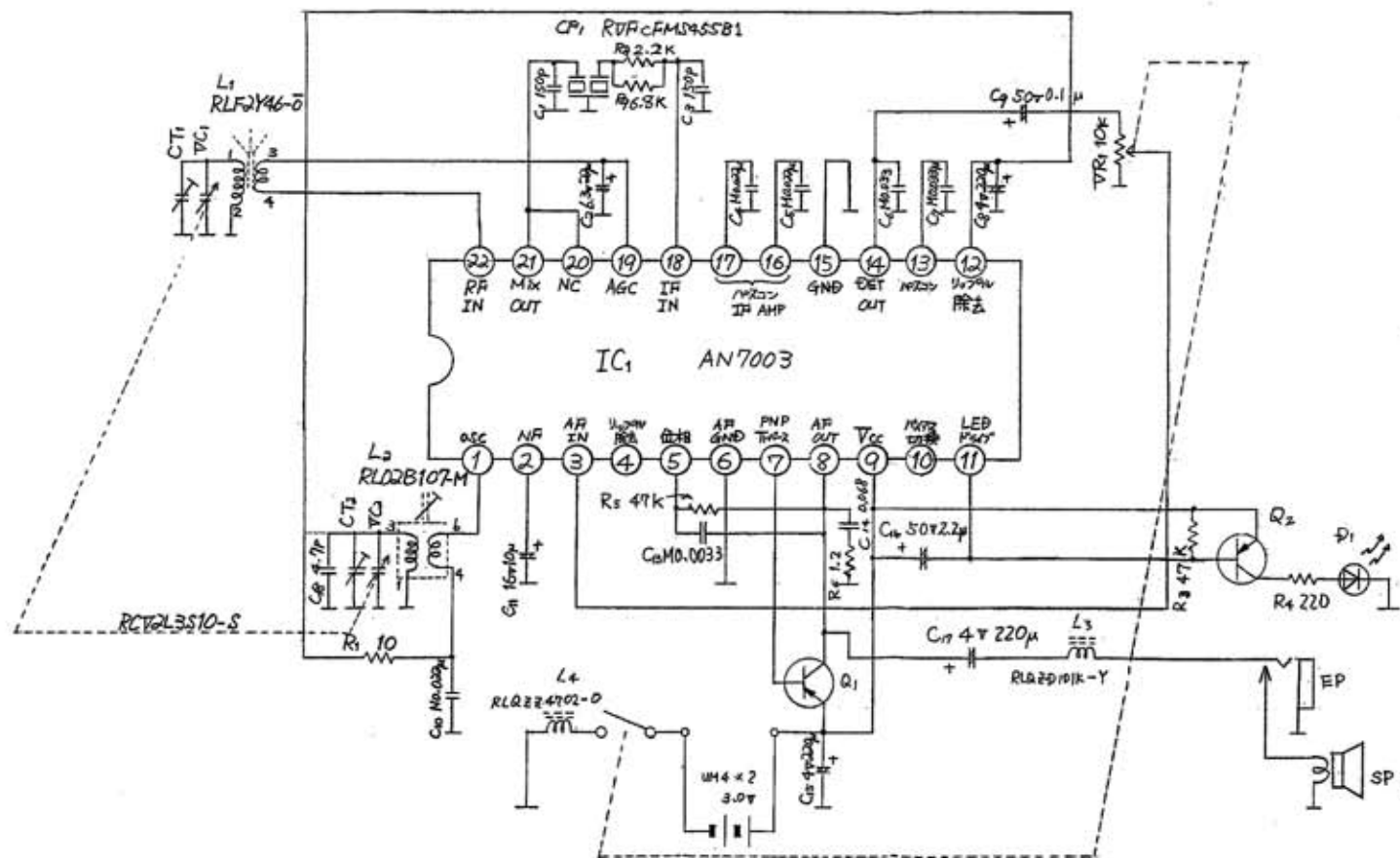


Sym	Date	Revision	A	B	C	D	E	F	Changed From	Signal	Checked	Approved

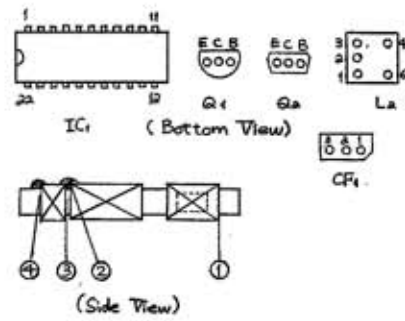


PARTS COMPLEMENT

Q1	Power AMP	2SA952L1
Q2	LED DRIVER	2SA1309R
D1	LED	LN28RP
IC1	ANHEX-IF-AM	AN7003

CT1	RCVCT33506
CT2	RCVT311F
VR1	EYLEABT12D14
SP	RAS45P032A-D
EP	RJJ1C13A-C

NOTES:
 ALL RESISTORS VALUES IN Ω
 (K=10³)
 ALL CAPACITORS VALUES IN F
 (μ=10⁻⁶, P=10⁻¹²)
 TOLERANCE OF CAPACITORS : M=120%



C		1	2	3	4	5	6	7	8	9
R	1	8	9	5	6	3	4			

Sym	Item or Code No.	Material & Size	at	Process
④	⑤	⑥	⑦	Model R-1040-J
Scale	Designed	Drawn	Traced	Checked
	S. Kumada			
	Feb. 6, 1985			
				Process No.
				Name