

NATIONAL R-108N

TR₁
2SA102
CONV.

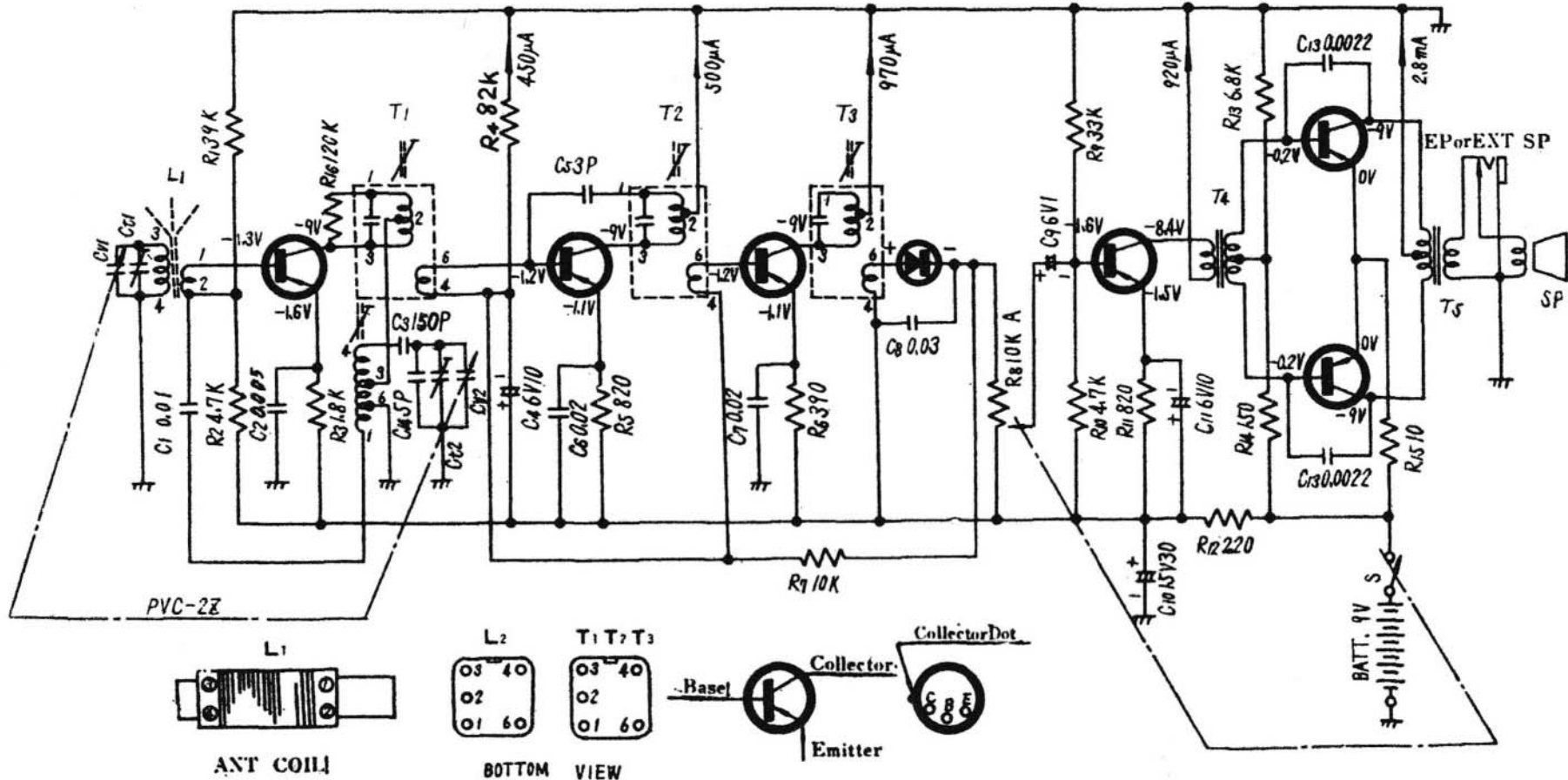
TR₂
2SA101
1st IF AMP

TR₃
2SA101
2nd IF AMP

D₁
0A90
DET & AGC

TR₄
2SB171
AM AMP

TR₅ & TR₆
2SB172
OUTPUT



Oscillator IF Transformer: