

Sym	Date	Revision	A	B	C	D	E	F	Changed From	Signed	Checked	Approved

R	21	17	18	2	3	4	15	16	5	12	11	20
C	2	11	6	13	18	20	1	22	24	25	26	29
	4	5	14	15	14	16	17	12	3	32	3	32

L NO	
L1	RL0Y7555-0
L2	RLF5E69-0
L3	RLA3B44-M
L4	RL03B90-M
L5	RL03B91-M
L6	RL02B107-M
L7	RL02P6R2H-Y
L8	RL0Y7555-0

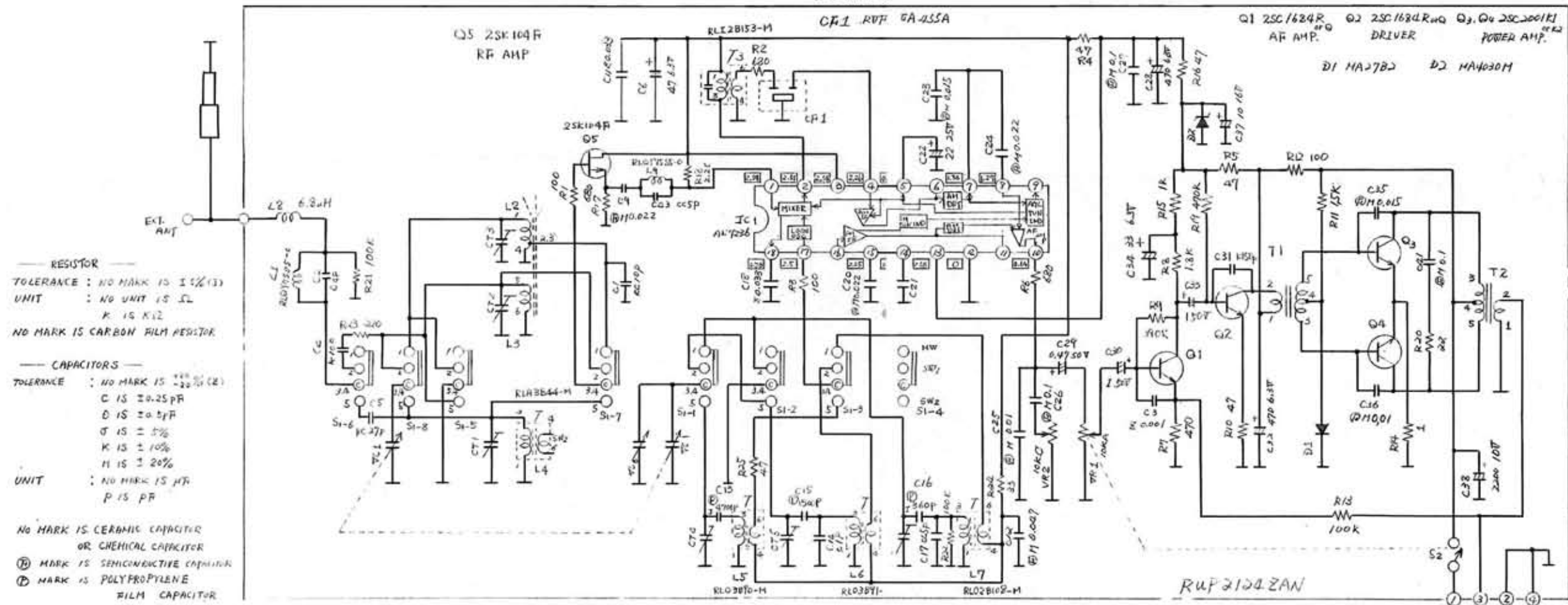
T. NO	
T1	RLT3F66A-E
T2	RLT2F33-E
T3	RLT2B103-M
T4	RLT3I162A-W

TR NO	
TR1	RVD3CA1Q-K
TR2	RVD1C4C1Q-K

IC, TR, D. NO	
IC1	AN7236
Q1	2SC1624 R ⁰
Q2	2SC1824 R ⁰
Q3	2SC2001 R ⁰
Q4	2SC2001 R ⁰
Q5	2SK104F
D1	HA27B2
D2	MA4030H
D3	RVD1SR35
D4	RVD1SR35

- S1-1-2 : BAND SELECTOR SW
HW POSITION IS HW
- S2 : POWER SW
HW POSITION IS OFF
- S3 : POWER SUPPLY SELECTOR SW
HW POSITION IS BATT.
- S4 : SUPPLY VOLT. SELECTOR SW
HW POSITION IS 117V

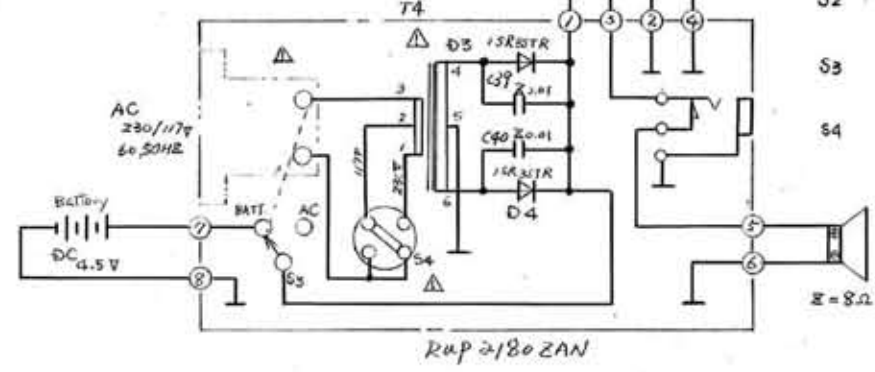
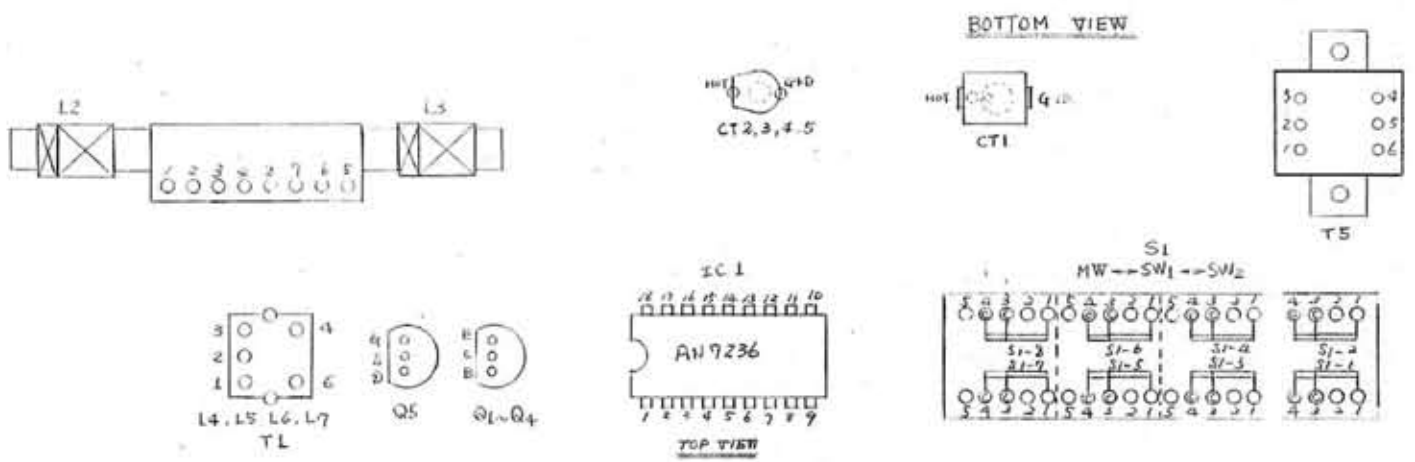
CT NO	
CT1	RCV2RC1R1A-M
CT2	RCV1H60C6
CT3	RCV0R0FF-A
CT4	RCVTE11F
CT5	"
CT6	"



RESISTOR
 TOLERANCE : NO MARK IS $\pm 1\%$ (3)
 UNIT : NO UNIT IS Ω
 K IS K12
 NO MARK IS CARBON FILM RESISTOR

CAPACITORS
 TOLERANCE : NO MARK IS $\pm 5\%$ (2)
 C IS $\pm 0.25\mu F$
 D IS $\pm 0.5\mu F$
 J IS $\pm 5\%$
 K IS $\pm 10\%$
 M IS $\pm 20\%$
 UNIT : NO MARK IS μF
 P IS PF

NO MARK IS CERAMIC CAPACITOR OR CHEMICAL CAPACITOR
 (M) MARK IS SEMICONDUCTIVE CAPACITOR
 (P) MARK IS POLYPROPYLENE FILM CAPACITOR



Sym	Item or Code No.	Material & Size	at	Process		
(M) (S) (D) (P)				Model R-315-X		
Scale	Designed	Drawn	Traced	Checked	Approved	Parts No.
1	H.S. [Signature]		H. [Signature]	- 11		