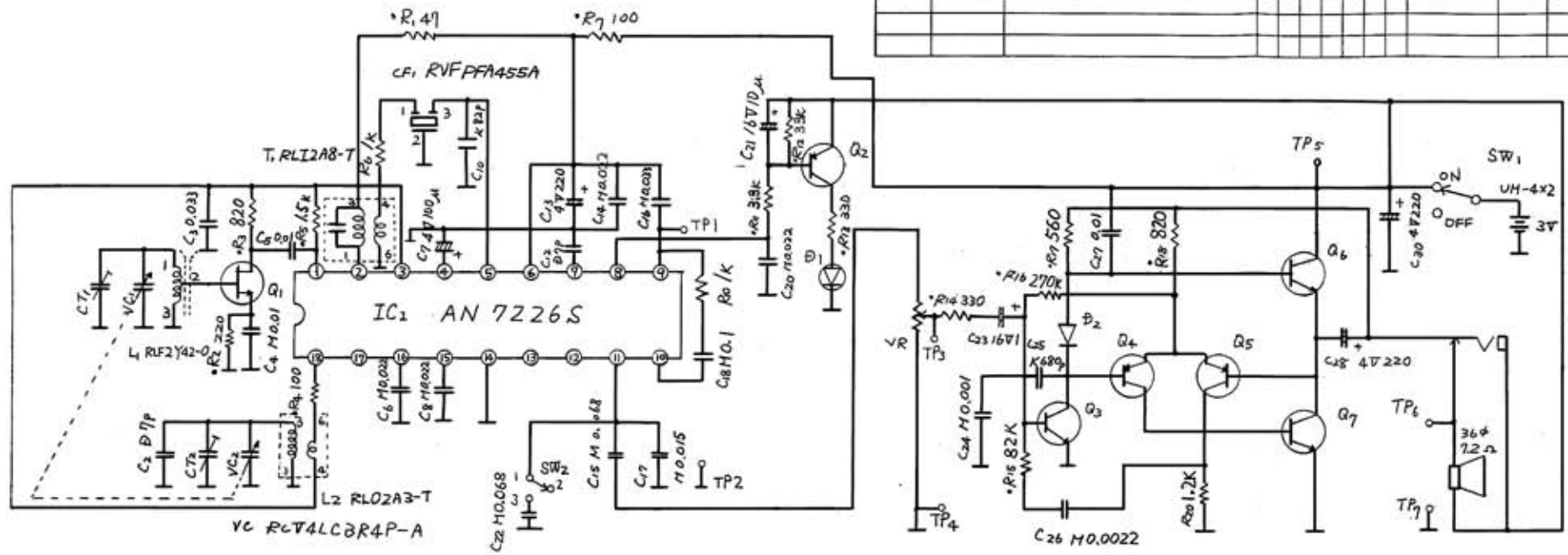
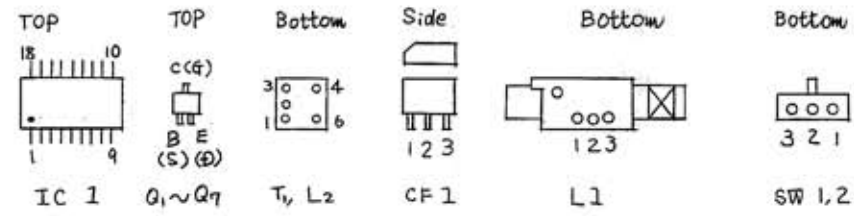


Sym	Date	Revision	A	B	C	D	E	F	Changed From	Signed	Checked	Approved



IC	AM / IF	AN 7226 S
Q1	M/RP AMP	2SK160K4
Q2	DRIVER	2SA812M5
Q3	AF DRIVER	2SD601R
Q4	"	2SB709Q
Q5	"	"
Q6	POWER AMP	2SD5962N3
Q7	"	"
D1	LED TUN	RVPR2434D
D2	AOC	RYDKB162B
VC		ACT4LC3R4P-A



CAPACITOR VALUE : F ($\mu=10^{-6}$, P= 10^{-12})
 RESISTOR VALUE : Ω (K= 10^3 , M= 10^6)
 • PRINTED RESISTOR
 TOLERANCE : C= ± 0.25 pF, D= ± 0.5 pF
 J= $\pm 5\%$, K= $\pm 10\%$, M= $\pm 20\%$

C	2	3	4	5	6	7	8	10	11	12	13	14	15	16	17	18	20	21	22	24	25	26	27	28	30
R	1	2	3	4	5	6	7	8	10	11	12	13	14	15	16	17	18	19	20						

Sym	Item or Code No.	Material & Size	at	Process
①	②	③	④	⑤
Scale	Designed	Drawn	Traced	Checked
	J. Hagan			
	23 Aug '81			
				Model
				R-5-(J)
				Parts No.
				Name
				SCHEMATIC DIAGRAM