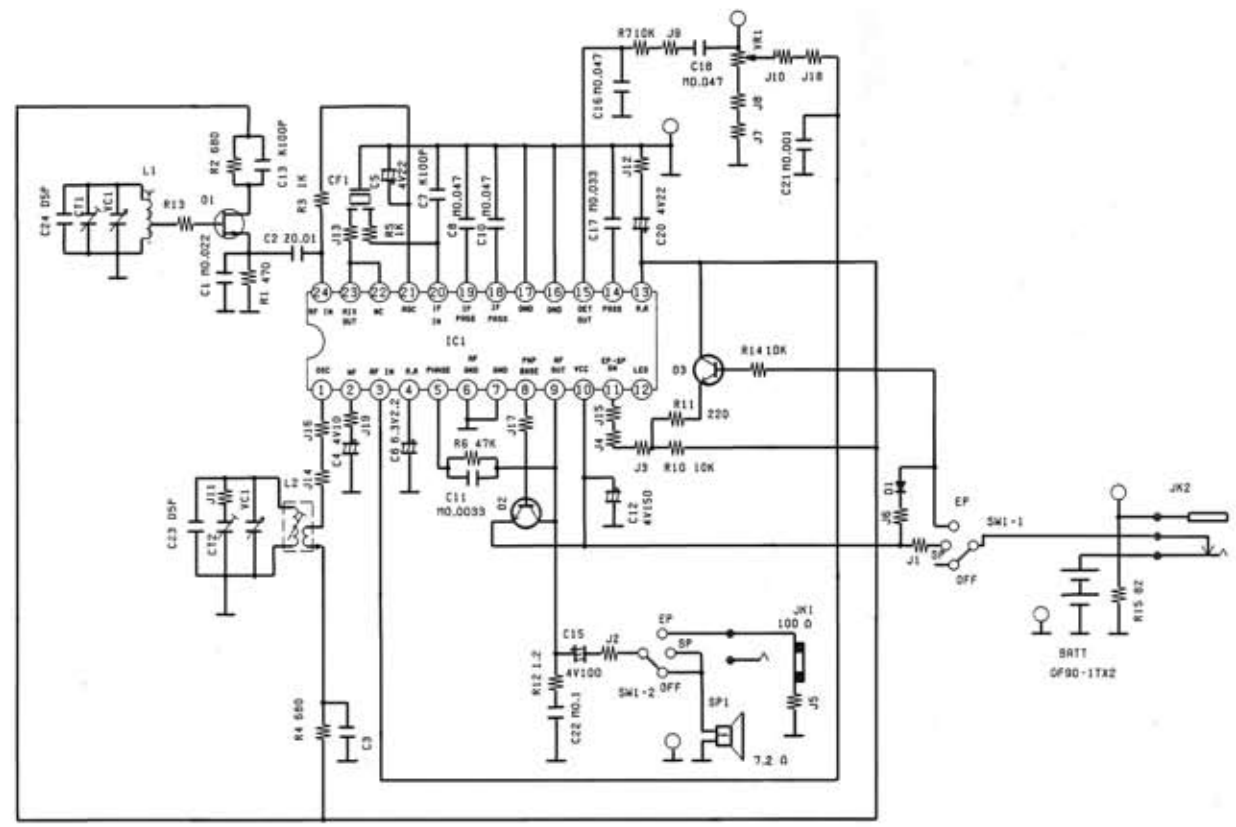


A
B
C
D
E
F



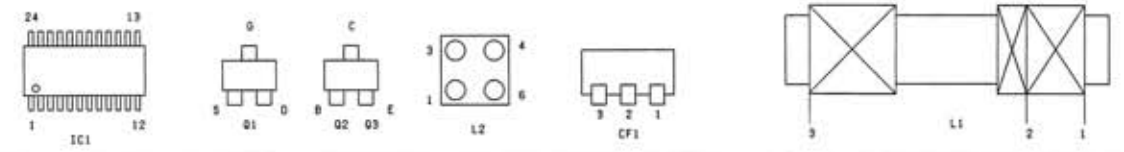
部品名	規格	コメント
D1	2SK160K5	RF AMP
D2	2SB6248V2	POWER
D3	2SC1623LSA	SWITCHING
D1	MA721	DATE
IC1	AN7002S	AM MIX IF AFAMP
L1	RLF2N25-0	AM ANT
L2	RL02U3-M	AM OSC COIL
CF1	RVFFFB455R	
VR1	RVV1HSA14-A	

NOTES

CAPACITOR
TOLERANCE NO MARK IS Z
UNIT NO MARK IS uF P IS PF

RESISTORS
TOLERANCE NO MARK IS K1 +/-10%
UNIT NO MARK IS O .K IS K O
n IS n O

	MISS NO.												LAST NO.															
C	24	23	1	2	13	4	3	5	6	7	11	8	10	22	17	15	16	12	20	18	21	9	14	19	24			
R			13	2	1	4	3	5	6	12													15			8	9	15



Designed	Checked	Approved	Model
			R-H11-J