

Sym	Date	Revision	A	B	C	D	E	F	Changed From	Signed	Checked	Approved

C	1	2	3	4	5	6	7	8	9	10	11	12	13	14	15	16	17	18	19	20	21	22	
R																							

VC 1,2 CT 1,2  
RC02L207K-S

L1 RLF 2B146-0 Q1 2SC829B  
L2 RLO 2B107-M COND

T1 RLI 2B157-M  
T2 RLI 2B257-M  
T3 RLI 2B450-M

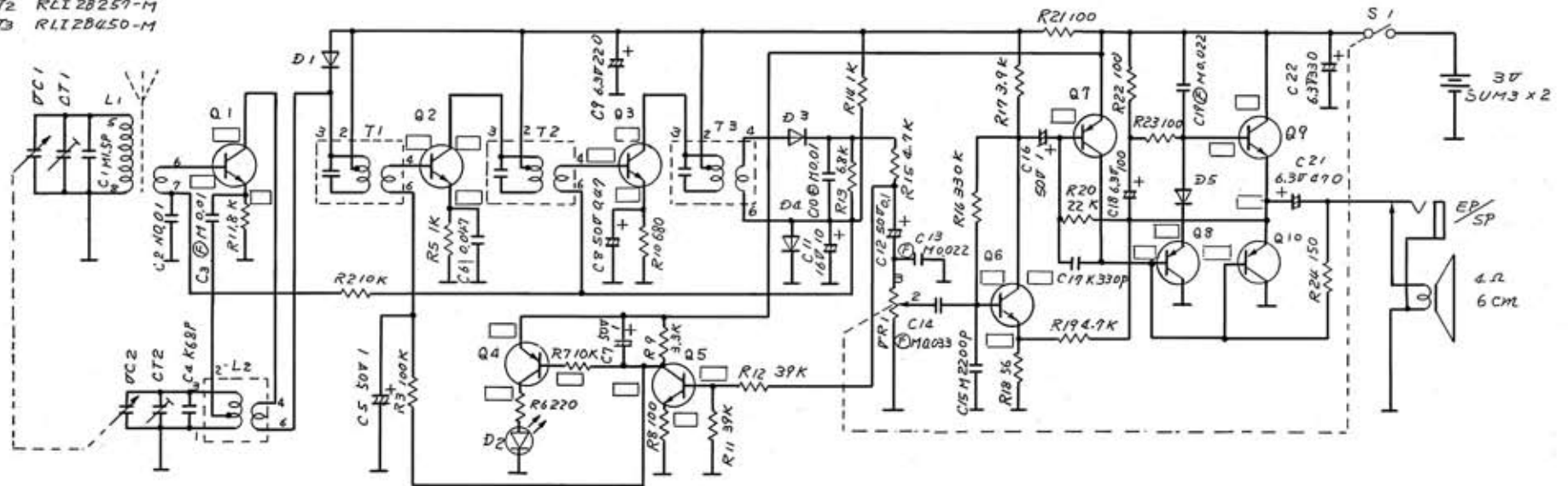
Q2. 2SC829C  
Q3. 2SC829B

IF. AMP

Q4 2SA564 R  
Q5 2SC1684 R  
DC AMP

Q6 2SC1684 R  
Q7, Q8 2SA564 R  
AF AMP

Q9 2SC2001 K1  
Q10 2SA952 K1  
POWER AMP



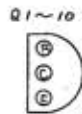
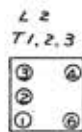
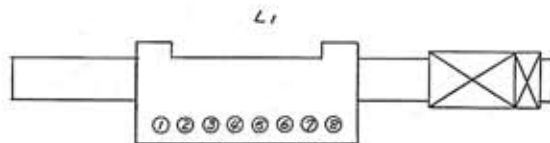
D1 0A90LF  
LIMITER

D2 R0DPR2202S  
TUNING IND

D3 0A90  
DET

D4 R0DKB 262C  
AOC

D5 MA27A2  
AOC



BOTTOM VIEW

Δ 59 8.10  
Δ 59 7.18  
Δ 59 5.24

Sym	Item or Code No.	Material & Size	qt	Process
①	②	③	④	⑤
Model	R-U2-J			
Parts No.	SCHEMATIC DIAGRAM			
Scale	Designed	Drawn	Traced	Checked
			S. IKOMA	S. Serrano
Name				